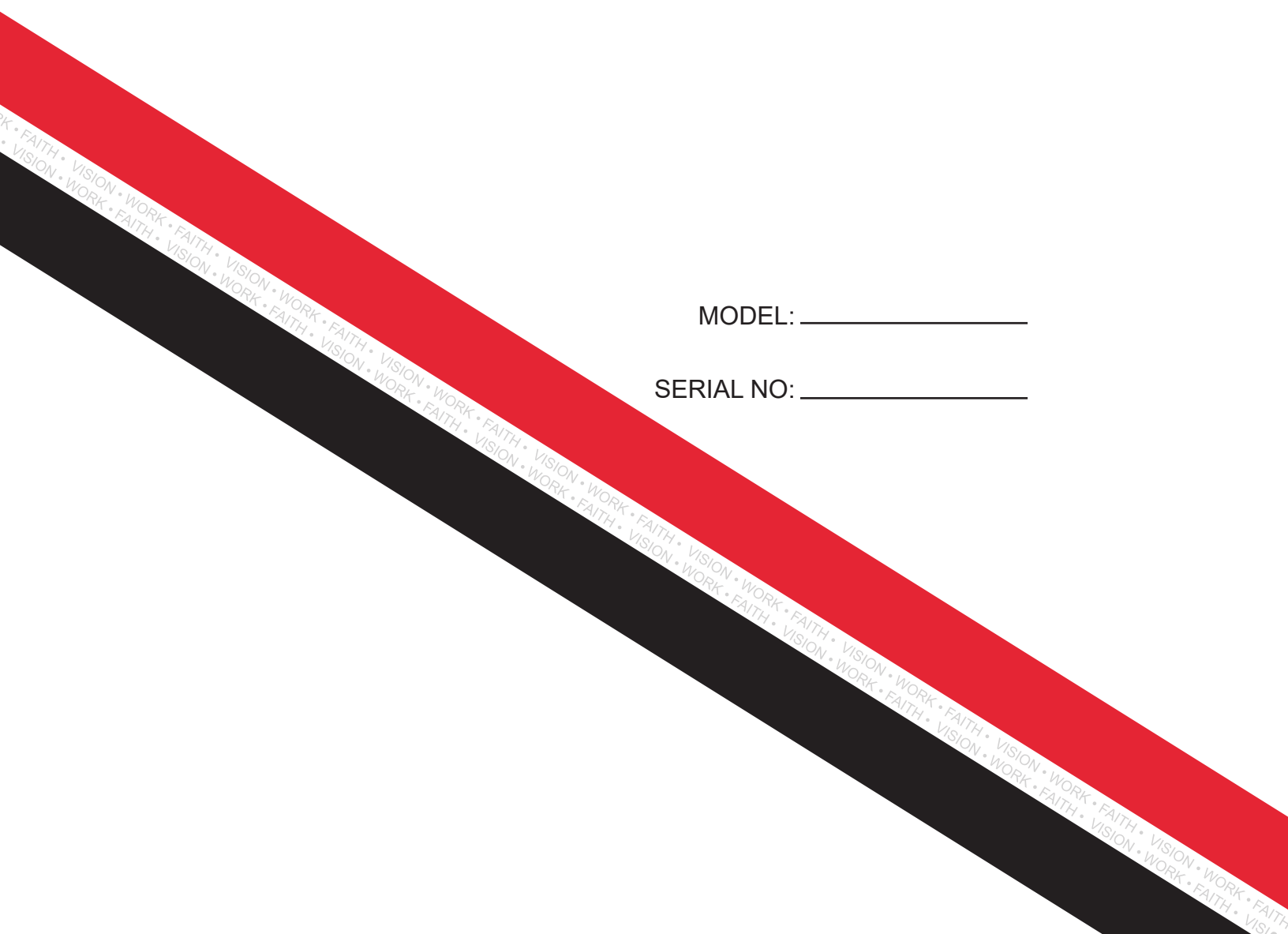




PARTS MANUAL

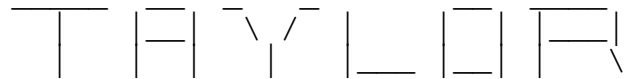
MODEL: _____

SERIAL NO: _____



04/25/23

R3B9



PAGE 1

PRODUCTION ORDER--FORK-LIFT

HUGG & HALL EQUIPMENT CO (TMW ONLY)
PO BOX 194110
LITTLE ROCK, AR 72219-4110

MODEL TYP300L P# P16930
SER.# S P0 16930 IN SERVICE
REL DATE 01311983 CHANGE#
SCH. DEL. DATE 00000000
2ND INSP. 000000

EBM	REV	CAT.PG						
01	2009	01-028,100	ENG. MAKE 453 GM	PUR.ASSY 2339	047			
			MOD 50437001	SER 4D0196601				
			OIL FILTER G PF911					
02	2016	02-019,2013	FUEL TYPE DIESEL FUEL TANK	2729 200	QTY 000			
			FUEL FILTER G T936					
03	2013	03-016,2013	AIR INTK HSG	INDICATR 4043	200			
			AIR CLNR I 1 23 1258	MAKE FARR				
04	2024	04-2008	MUFFLER 2403 052	GUARD				
05	2089	05-2089	RADIATOR 2404 089	AUX TK				
			FAN BELT G 5135655	SHROUD I 1 23 2279				
06	2037	06-300	BAT 2340 025	QTY 0 LGHT 2320	QTY 00			
		06-2037	INST. PANEL I 1 28 0427	GEN/ALT 2341	106			
			ALT BELT G 5133173					
				SER 12N55A8206				
			STARTER 4066 030					
				SER 81K13				
07	2008	07-021	THROTTLE PEDAL I 1 25 0588	CABLE 2704	200			
09	2032	09-045	TRANS. MAKE TAYLOR TC 28	PUR.ASSY. 2547	518			
			MOD 13HR28330 1	SER 69499ZU				
			ASSEMBLY W/ENG. ASSY.					
09A	2060	09A-2060	COOLER 2568 300					
		09-404						
09B	2017	09B-2008	FILTER 2547 974	ELEMENT G PF132W				
09C	2012	09-620,622	CONTROLS RNGE 2704 090	FWD/REV				
		09-623	INCHING					
11	2020	11-041	DRV. SHAFT MAIN I 1 42 0020	CROSS 3462				
11A	2001	11-204	PMP ENG ADPT I 1 24 0190	DRV SHFT I 1 24 0177				
			CROSS 1927 140	PUMP YOKE 1930 035				
		12-001	PARK BRAKE TYPE	ASSY				
			LEVER 2226	CABLE 2226 030				
13	2012	13-023	STEER AXLE TAYLOR	ASSY I 1 26 0553				
			MOD 200	SER				
14	2075		DRIVE AXLE 1756 RSA 201	PUR.ASSY. 2068	153			
			RATIO 5:86	SER 078820030S				
		14-049	TMW ASSY					
15	2014	15-2014	BRAKES TYPE AIR	ACTUATOR 2243	396			
			COMPRESSOR 3835 003					
			SER 5106137					
		15-901	AIR TANKS	00				

16 2058	16-201	STEER COLUMN I 1 25 0651	OBITROL	2537 015	
16A2007	16-2012	RELIEF VALVE	2536 311		
17 2014	17-103	TIRES STEER 12:00 X 20 16PR HRL			QTY 01
	17-103	TIRES DRIVE 12:00 X 20 16PR HRL			QTY 01
		RIMS STEER 6114	2 SPACER		0
		RIMS DRIVE 6114	4 BANDS		0
18 2009		MAIN FRAME I 1 01 0873			
19 2075	19-013,050	BODY HULL I 1 01 0874			
	20-209,210	CAB			
20 2014	20-002	WIPERS FRT. 3249 035	REAR		
	20A-2001	HEATER 3249 061	01		
		DEFROSTER FRONT 3249 065	REAR		
21 2006	21-004	SEAT	STAND		
22 2066	22-513,2066	HYD. TANK I 1 22 0301	STRAINER		
	22A-100,2041	ACCESS.			
	23-038	PUMP MAIN 2748 110	MOD		
		SER B121 4649			
		ACC. PUMP W/MAIN	MOD		
	24-022	VALVES LIFT 2796 500	MOD		
		SER H52 400			
		INLET 2797 075	OUTLET 2797 078		
		TILT 2797 077			
	24-027	ACCESS. 2797 081	QTY 01		
		TILT LOCK VALVE 2823 106			
25 2044	25-010	CONTROLS LIFT	TILT		
	26-412	CYLS. LIFT 2760 308	QTY 01		
	26-337	TILT I 1 26 1089	QTY 02 KIT I 1 26 1093		
	26-321	STEER I 1 26 0562	QTY 02 KIT I 1 26 0902		
		MAST LIFT HGT. 18'	FREE LIFT IN		
		RIGID TELE X ULTRA VU	HD STD X		
27C2004	27-716	LIFT CHAIN 3219 020	LENGTH		
27B2003	27-313,408	ROLLERS MAIN I 1 17 1779	SIDE I 1 17 2785		
27D2003		THRUST			
28P81713		CARR. TYP PW	COMPLT ASSY I 1 18 2411		
	28-610	SLINGS I 1 21 0149	QTY 01		
		SIDE GUARD W/MAST ASSY.			
	31-600,700	SPECIAL TOOLS			
		PAINT RED			

LOUISVILLE, MISSISSIPPI

PRODUCTION SALES ORDER AND MACHINE INDEX

ADDITIONAL INFORMATION SHEET

SOLD TO:

HUGG & HALL EQUIPMENT CO (TMW ONLY)
 PO BOX 194110
 LITTLE ROCK, AR 72219-4110

MODEL TYP300L P# P16930
 SER.# S P0 16930
 REL DATE 01311983 IN SERVICE
 DEL DATE 00000000 CHANGE#
 2ND INSP. 000000

ITEM	EBM	REV	CAT.PG	ADDITIONAL INFORMATION
01		000	14-049	TMW ASSY. E 1 04 0152
02	20 2062	000	20-210	(CAB) I 1 28 0792 (CANOPY) I 1 28 0482
03		000		MAST ASSY. COMPL. I 1 17 4975
04		000		(1)LIFT CYL. GUARD (GP. 29 2021)
05		000	TABS:	
06		000	01-0000	
07		000	01-0001	
08		000	01-0002	
09		000	09-0000	
10		000	13-0000	
11		000	15-0000	
12		000	16-0000	
13		000	17-0000	
14		000	22-0000	
15		000	27-0000	
16		000	30-0000	
17		000		SHIPPED 1 PARTS CHG 11-21-95

Parts Manual

General Information

Power Unit

Power Transfer

Axles

Brake Control System

Steering Control System

Chassis

Hydraulic System

Attachments

Miscellaneous



Sudden Service, Inc.

649 North Church Avenue
Louisville, Mississippi 39339-2017
Phone (662) 773-8056 Fax (662) 773-9157
Web Site: www.taylorbigred.com

Contents

PSO & Page No. Prefix(s)*	Functional Group
01-07	Power Unit
08-12	Power Transfer
13-14	Axles
15	Brake Control System
16	Steering Control System
17-21	Chassis
22-26	Hydraulic System
27-29	Attachments
31-32	Miscellaneous

* Code number prefixes, arrangement of material in this manual, and instructions for locating information are explained on the following pages.

Instructions For Using This Manual

This Parts Manual has been assembled for the individual model and serial number machine from original manufacturing records. A copy of this original record (called a **Production Sales Order**, or **PSO** for short) appears at the beginning of this manual.

Not only is the PSO a complete record of the identification numbers of the machine's original components, **it is actually an index of the material in this manual.** Only pages pertaining to a specific machine are included in the manual making consecutive page numbers impractical.

Note the two columns on the left side of the PSO. The first column is used to record the Engineering Bill of Materials (EBM) issued to a specific machine serial number. The second column lists the corresponding parts manual page number. **Note:** If there is no formal printed catalog page to cover the item or group in question, refer to the EBM group number when ordering parts; this enables factory parts and service personnel to research original manufacturing records and identify parts.



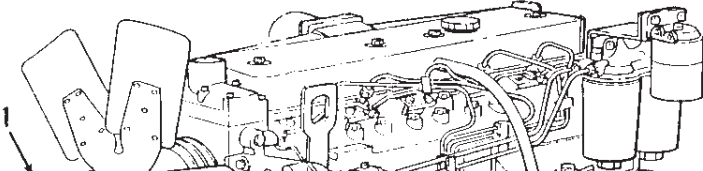
Functional Group Order. This manual is arranged by functional group order. All components listed on the PSO card have a code number and the corresponding parts manual page uses that same number. Pay particular attention to the **Code Number Prefixes.**

For example, in the "**Cat Pg**" Column of the PSO note that all items in the functional group "Power Unit" carry number prefixes of 01- through 07-. (See Figure 1 below, a fragment of a PSO.) The remainder of the code number refers to the specific part or component.

Thus, in the code number "01-074" the "01" refers to the **Engine**;
"074" refers to the **Specific Engine** installed in the machine.

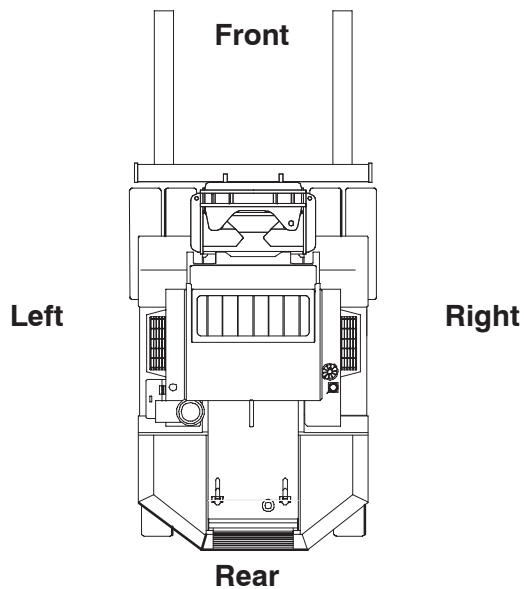
.....		PRODUCTION ORDER--FO	
		MODEL	
		SER. #	
		RELEASE DATE	
		SCH. DELIVERY DATE	
.....			
EBM	CAT. PG.		
01 2149	01-074,205	ENGINE--MAKE DD 6.0	PL
		MOD. YA70245	
		--ASSY	OIL

In the illustration below, a fragment of a parts manual page, the number on the PSO corresponds to the “page number” of the parts manual.

	POWER UNIT <div style="border: 1px solid black; padding: 2px; display: inline-block;">01-074</div>	
MODEL OR SERIES	COMPONENT OR ASSEMBLY NUMBER	
GT-170 thru GT-360 w/6.0 DDC		
ENGINE INSTALLATION		
		

All parts pages developed for a specific machine are placed in numerical sequence behind the appropriate **Functional Group** tab.

Product Improvement. It is standing policy to make improvements in material and design whenever possible. New machines may incorporate features not found on earlier models, and new or improved components not presently covered in manuals may also be used on other machines. Should you experience any difficulty in identifying parts, please contact your parts and service support representative.

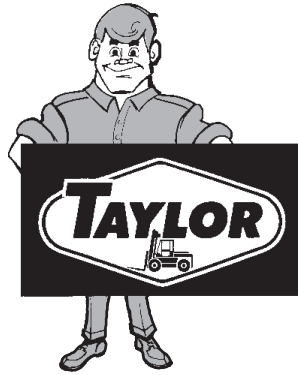


Left- and Right-hand Descriptions

For clarity, **Left Hand** (LH) and **Right Hand** (RH), **Front**, and **Rear** descriptions are used only when necessary and generally mean “as you sit in the driver’s seat.”

Abbreviations Used in This Publication

/	And, or, &	M	Male
ADJ	Adjust	MAX	Maximum
ALT	Alternator	MFR	Manufacturer
AR, A/R	As Required	MIN	Minimum
ASSY	Assembly	MOD	Model
ATT	Attachment	MTG	Mounting
BRG	Bearing	N.S.S.	Not Serviced (Sold) Separately
CAP	Capacity	OBS	Obsolete
CAP SCR	Cap Screw	PKG	Packing
COM'L	Commercial	PNEU	Pneumatic
CONT	Control	PSI	Pounds Per Sq. Inch
CTSK	Countersunk	PTO	Power-take-off
DBL	Double	REG	Regulator
DIFF	Differential	REV	Reverse
EXH	Exhaust	RPM	Revolutions per Minute
EXT	Extension	SCR	Screw
F	Female	SER	Series
FWD	Forward	S/N (or SER. NO.)	Serial Number
GEN	Generator	SKT	Socket
HD	Heavy Duty	S.O.	Special Order
HDWE	Hardware	SPKT	Sprocket
HP	Horsepower	TACH	Tachometer
HVY	Heavy	TELE	Telescopic
HYD	Hydraulic	X HVY	Extra Heavy
IGN	Ignition	TRANS	Transmission, Transfer
INT	Internal	WDF	Woodruff
LG	Long	WLDMT	Weldment
MACH	Machine		



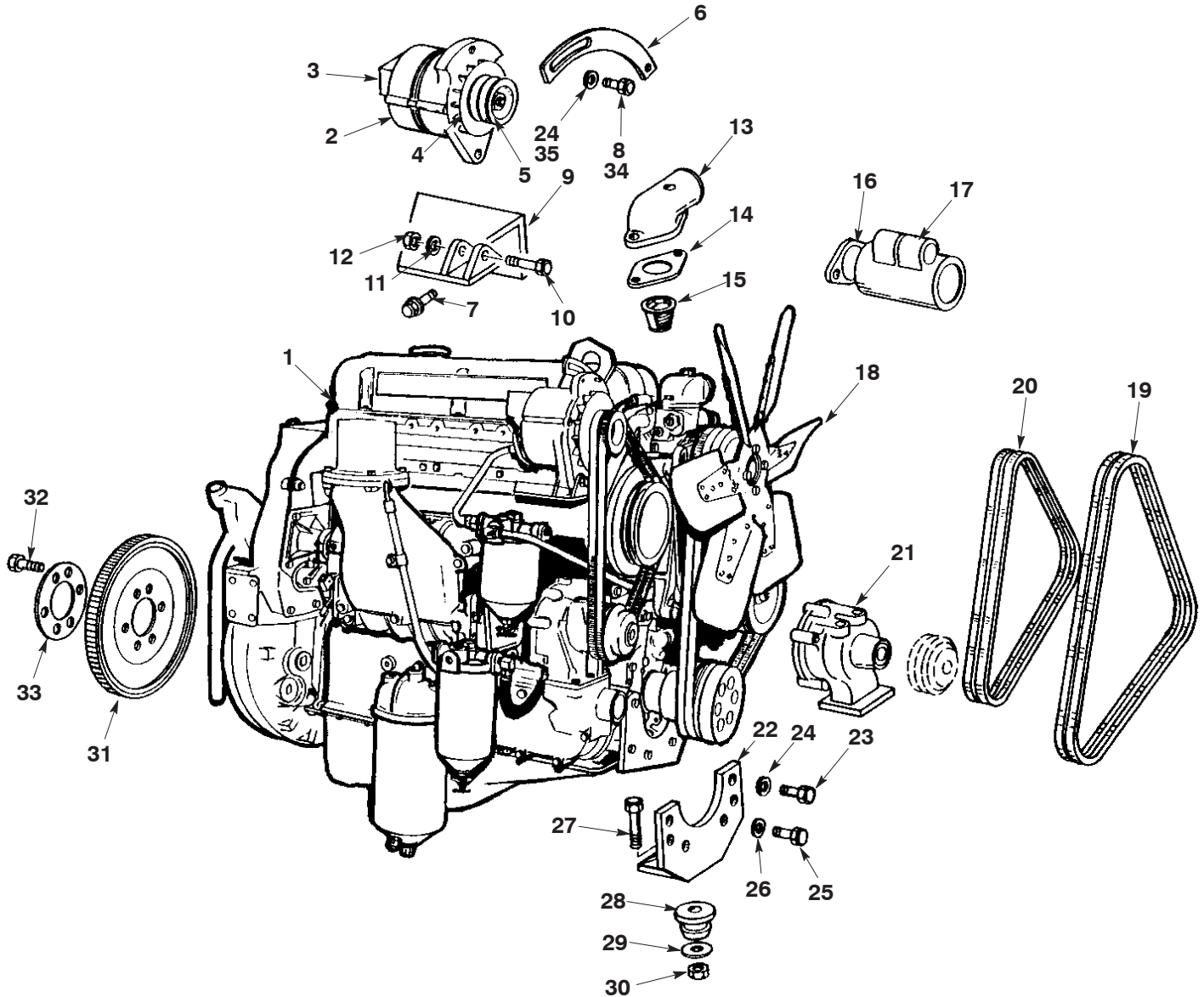
Power Unit

Functional Group	Section
Engine	01
Fuel System	02
Air Intake	03
Exhaust	04
Cooling System	05
Electrical System	06
Instruments and Controls	07

Power Unit
01-028
 Engine Installation

Taylor

MODEL OR SERIES	COMPONENT OR ASSEMBLY NUMBER
TY & TYB-160 thru 300 w/DDC 4-53	

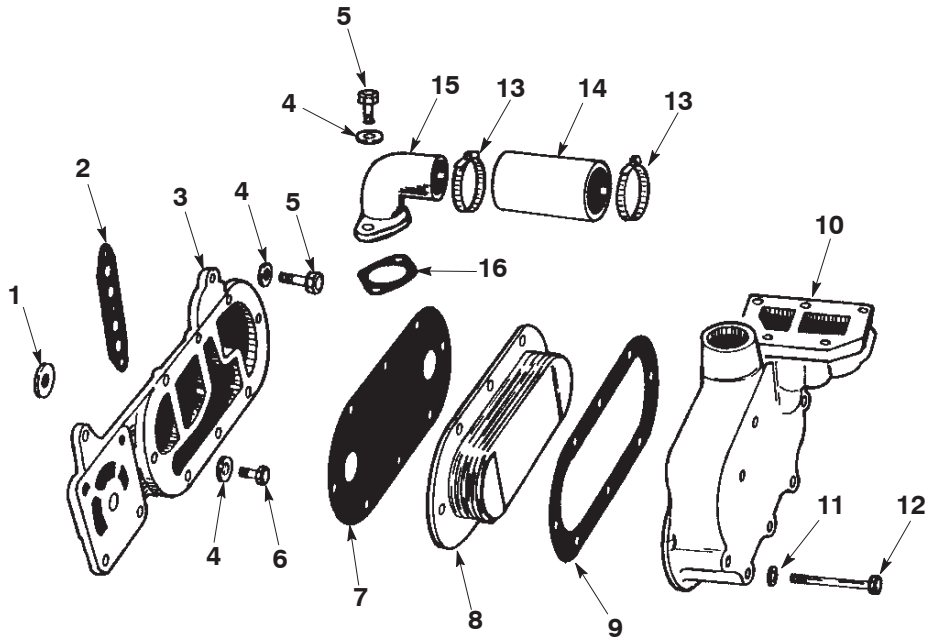


ITEM	PART NUMBER	DESCRIPTION	QTY.
1	G-5147506	GASKET, Valve Cover	1
2	2341-106	ALTERNATOR, 55 Amp.	1
3	5950-010	REGULATOR, 55 Amp.	1
2A	2341-108	ALTERNATOR, 85 Amp. (Comes w/Fan)	1
3A	5950-020	REGULATOR, 85 Amp.	1
2B	2341-108A	ALTERNATOR, 85 Amp.	1
3B	4019-108	PULLEY	1
4	2341-160	FAN, Regulator	1
5	2341-130	PULLEY, Alternator, 55 Amp.	1
5A	2341-136	PULLEY, Alternator, 85 Amp.	1
6	G-5129088	ADJUSTER, Alternator	1
7	1120-100	BOLT w/WASHER, 3/8" - 16 NC x 1"	3

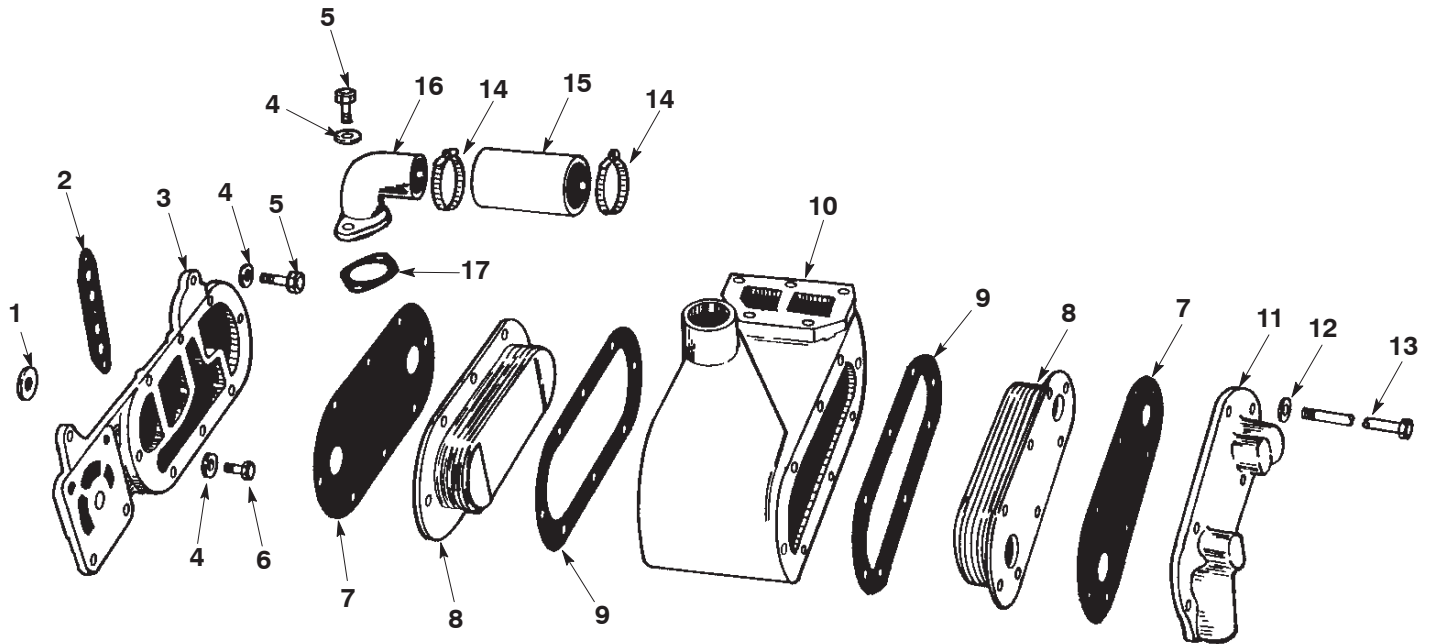
Power Unit
01-100
Oil Cooler

Taylor

MODEL OR SERIES	COMPONENT OR ASSEMBLY NUMBER
DDC 3-53 & 4-53	



GROUP "A"



GROUP "B"

Power Unit
01-100A
 Oil Cooler

Taylor

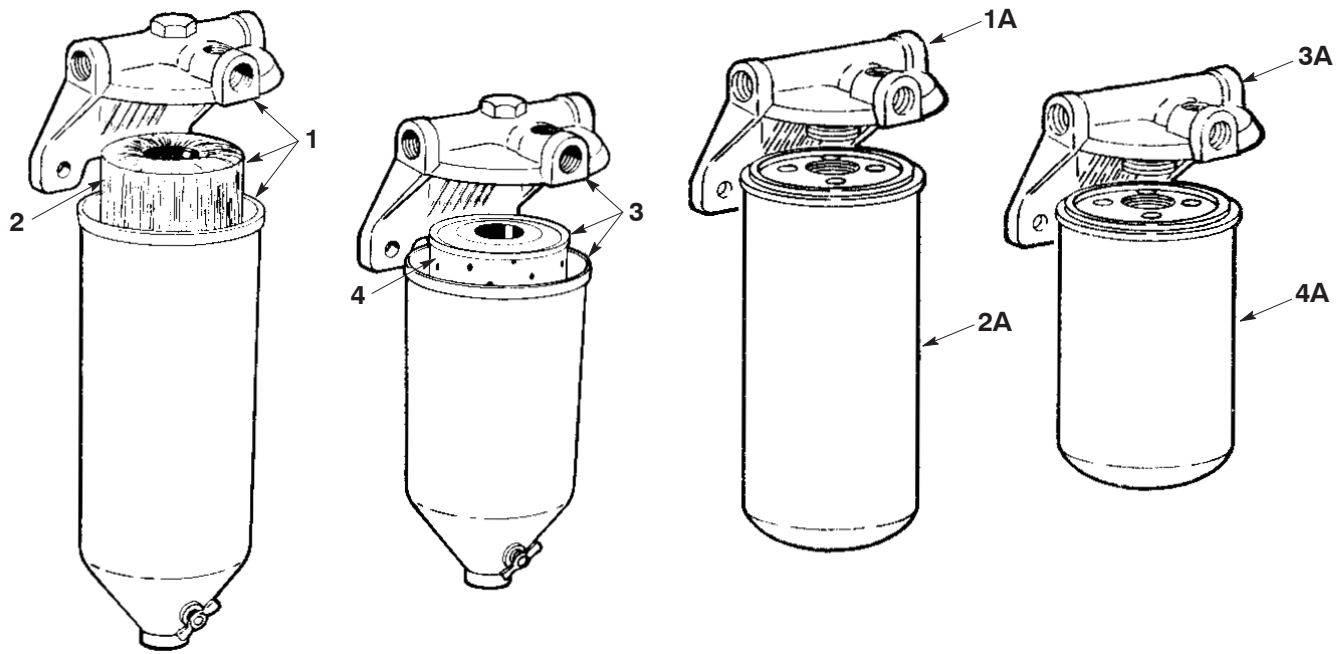
MODEL OR SERIES	COMPONENT OR ASSEMBLY NUMBER
DDC 3-53 & 4-53	

ITEM	PART NUMBER	DESCRIPTION	QTY.
GROUP "A"			
1	G-5175882	GASKET, Housing Round	3
2	G-5119286	GASKET, Housing	1
3	G-5123414	ADAPTER, Housing	1
4	1384	LOCKWASHER, 3/8"	8
5	1129	BOLT, 3/8" - 16 NC x 1-3/4"	2
6	1121	BOLT, 3/8" - 16 NC x 1"	6
7	G-5154215	GASKET, Oil Cooler, Outer	1
8	G-8501329	CORE, Cooler	1
9	G-5150155	GASKET, Housing	1
10	G-5119453	HOUSING, Cooler	1
11	G-103320	LOCKWASHER, 5/16"	8
12	G-186270	BOLT, 5/16" - 18 NC x 3-1/2"	8
13	1710-050	CLAMP, Hose, 1-3/4"	2
14	G-5199777	HOSE, 1-7/8" I.D. (Specify Length)	AR
15	G-5138275	ELBOW	1
16	G-5116357	GASKET, Elbow	1
GROUP "B"			
1	G-5175882	GASKET, Housing Round	3
2	G-5119286	GASKET, Housing	1
3	G-5123414	ADAPTER, Housing	1
4	1384	LOCKWASHER, 3/8"	8
5	1129	BOLT, 3/8" - 16 NC x 1-3/4"	2
6	1121	BOLT, 3/8" - 16 NC x 1"	6
7	G-5154215	GASKET, Oil Cooler, Outer	2
8	G-8501329	CORE, Cooler	2
9	G-5150155	GASKET, Housing	2
10	G-5116492	HOUSING, Cooler	1
11	G-5188862	COVER	1
12	G-103320	LOCKWASHER, 5/16"	8
13	G-446597	BOLT, 5/16" - 18 NC x 6-1/2"	8
14	1710-050	CLAMP, Hose, 1-3/4"	2
15	G-5199777	HOSE, 1-7/8" I.D. (Specify Length)	AR
16	G-5138275	ELBOW	1
17	G-5116357	GASKET, Elbow	1

Power Unit
02-019
 Fuel Filter Assemblies

Taylor

MODEL OR SERIES	COMPONENT OR ASSEMBLY NUMBER
3-53, 4-53, 6V-53, 4-71 & 6-71 GM DIESEL	

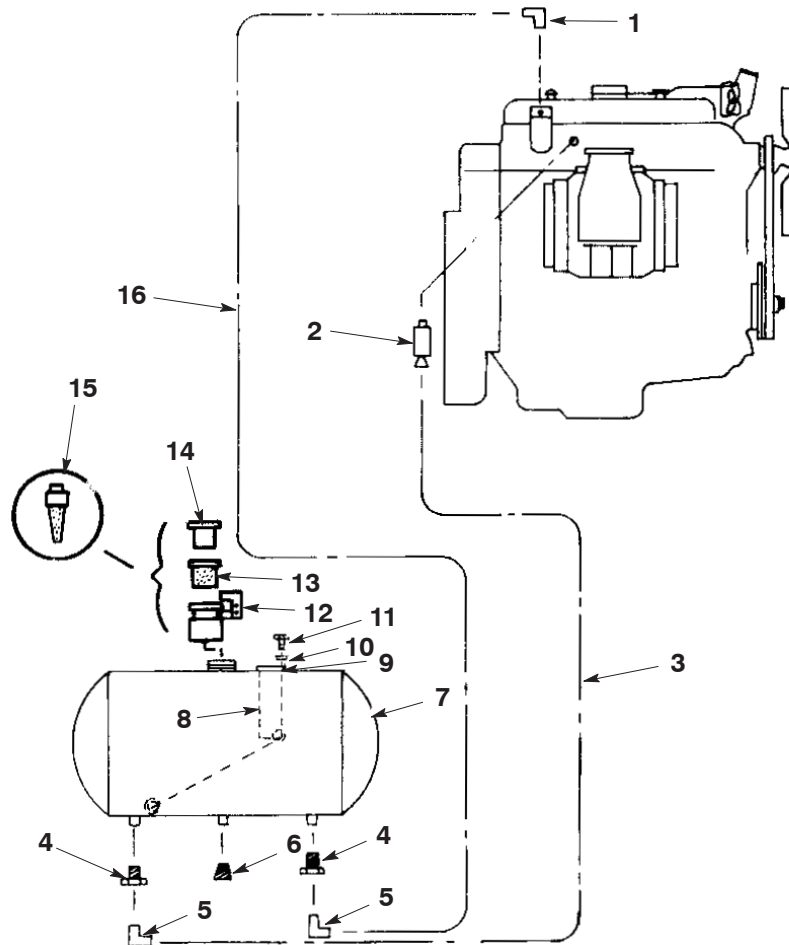


ITEM	PART NUMBER	DESCRIPTION	QTY.
		GM Diesel - 3-53, 4-53, and 4-71	
1	G-5575568	FUEL STRAINER ASSEMBLY, Primary T-60 (Cartridge Type)	1
2	G-T553	ELEMENT (Includes Gaskets)	1
1A	G-8921410	BASE, Primary Filter (Spin-On)	1
2A	G-T936	STRAINER, Primary (Spin-On)	1
3	G-5573949	FUEL FILTER ASSEMBLY, Secondary T-58 (Cartridge Type)	1
4	G-TP511	ELEMENT (Includes Gaskets)	1
3A	G-5148171	BASE, Secondary Filter (Spin-On)	1
4A	G-TP928	FILTER, Secondary (Spin-On)	1
		GM Diesel - 6V-53 and 6-71	
1	G-6436075	FUEL STRAINER ASSEMBLY, Primary T-74 (Cartridge Type)	1
2	G-T552	ELEMENT (Includes Gaskets)	1
1A	G-8921410	BASE, Primary Filter (Spin-On)	1
2A	G-T915	STRAINER, Primary (Spin-On)	1
3	G-5574533	FUEL FILTER ASSEMBLY, Secondary T-65 (Cartridge Type)	1
4	G-TP540X	ELEMENT (Includes Gaskets)	1
3A	G-5148171	BASE, Secondary Filter (Spin-On)	1
4A	G-TP916	FILTER, Secondary (Spin-On)	1

Power Unit
02-2013
 Fuel Circuit

Taylor

MODEL OR SERIES	COMPONENT OR ASSEMBLY NUMBER
TY-160 thru 300 S, M, L & B w/4-53 and 4-71 GM	

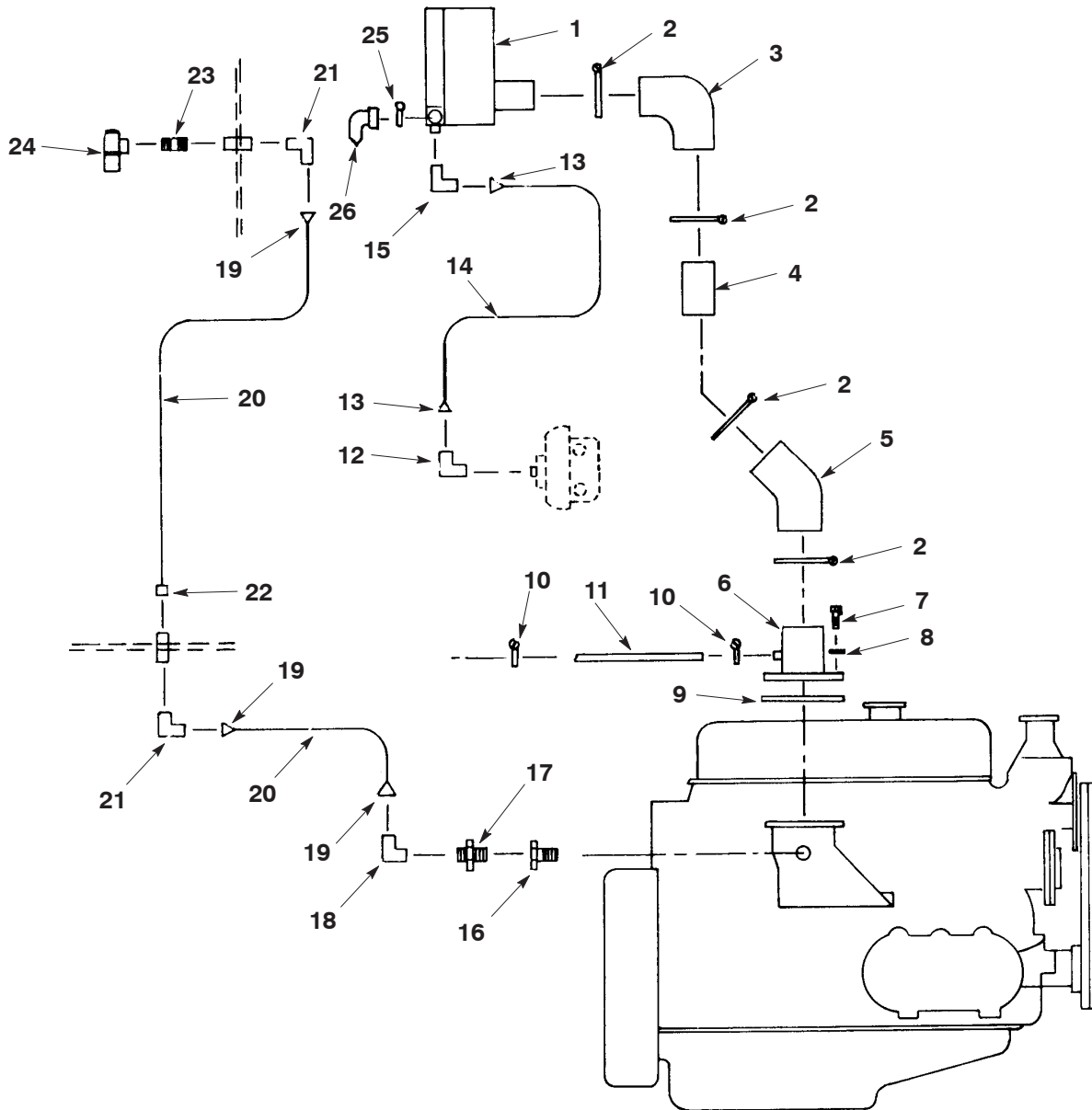


ITEM	PART NUMBER	DESCRIPTION	QTY.
1	2243-745	FITTING, 1/4" x 5/8", 90° (4-71)	1
1A	2243-700	FITTING, 1/4" x 5/8" St. (4-53)	1
2	2948-025	ADAPTER, Restricting, 1/4" x 1/4" St. (4-71)	1
2A	2948-020	ADAPTER, Restricting, 1/4" x 1/4", 90° (4-53)	1
3	I-1-32-0828	HOSE ASSEMBLY, 3/8" x 60-1/2" Lg.	1
4	1567	BUSHING, 1/2" x 3/8"	2
5	2243-748	FITTING, 3/8" x 5/8", 90°	
6	1480	PLUG, 1/2"	1
7	See P.S.O.	TANK ASSEMBLY, Fuel	1
8	2733-141	SENDER, Fuel	1
9	2733-260	GASKET, Fuel Sender	1
10	1378	WASHER, Lock, 1/4"	5
10A	1377	WASHER, Lock, 3/16"	5
11	1110-900	BOLT, 1/4" - 20 NC x 1/2"	5
11A	1223	BOLT, Stove #10 - 24 NC x 1/2"	5
12	2720-130	NECK, Filler	1
13	2720-270	STRAINER, Fuel	1
14	2720-250	CAP, Fuel Tank	1
15	2720-135	BAFFLE, Fire (Optional)	1
16	I-1-32-0827	HOSE ASSEMBLY, 3/8" x 84-1/2" Lg.	1
16A	I-1-32-0869	HOSE ASSEMBLY, 3/8" x 61-1/2" Lg. (B Model)	1

Power Unit
03-2013
 Air Intake Circuit

Taylor

MODEL OR SERIES	COMPONENT OR ASSEMBLY NUMBER
TY & TYB-160 thru 300 w/4-53 GM	

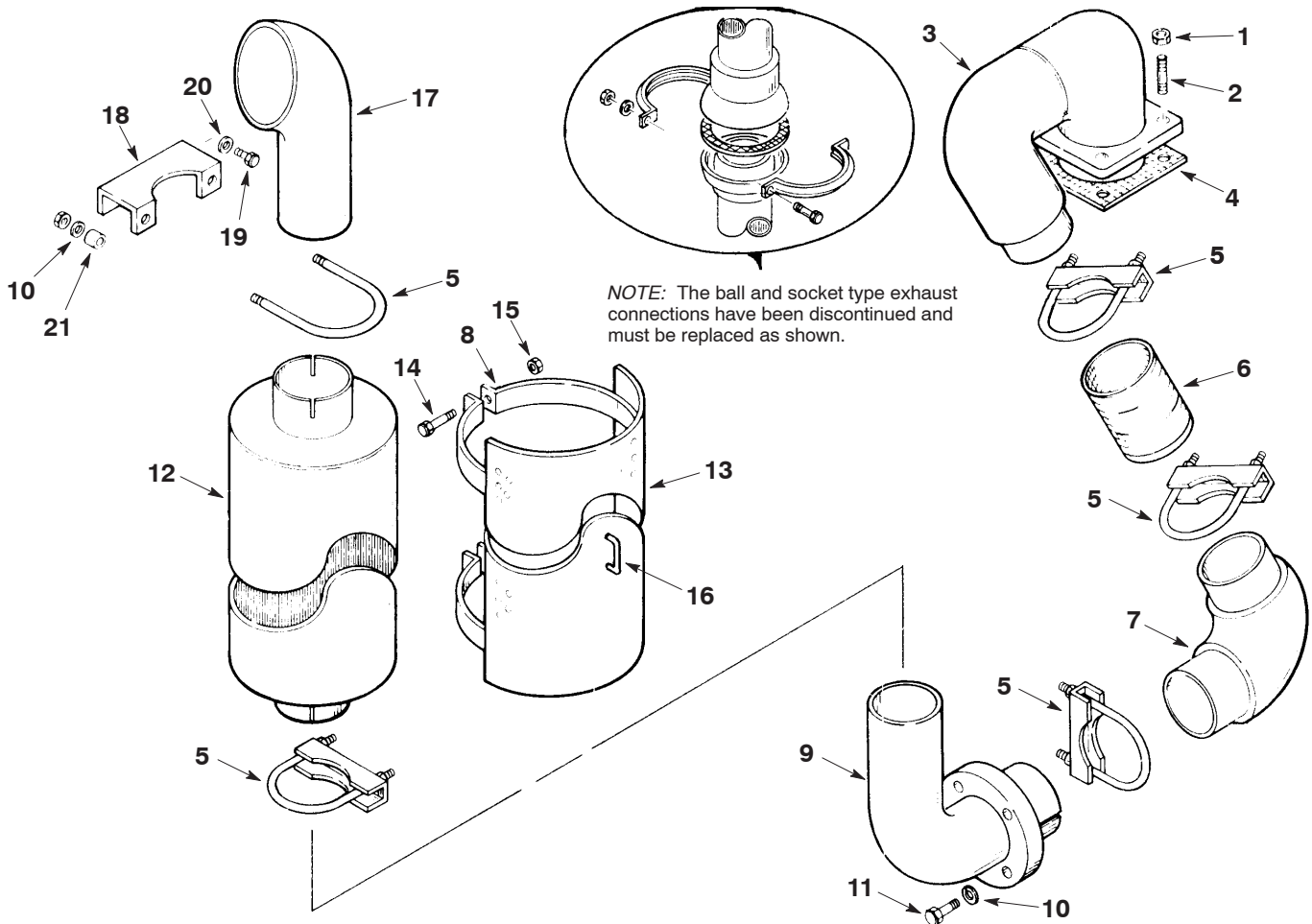


ITEM	PART NUMBER	DESCRIPTION	QTY.
1	See P.S.O.	CLEANER, Air	1
2	2403-400	CLAMP, 4"	4
3	2403-955	ELBOW, Rubber, 90°	1
4	I-0-23-2530	TUBE, Air Intake, 3-1/2"	1
5	2378-040	ELBOW, 45°	1
6	I-1-23-1208	ADAPTER, Air Intake	1
7	1114	BOLT, 5/16" x 3/4" NC	4
8	1381	LOCKWASHER, 5/16"	4
9	G-5124405	GASKET	1
10	1710-005	CLAMP, 1" to 1-1/4"	2
11	I-0-32-0317	HOSE, 1" x 56" Lg.	1
12	I-0-23-2531	FITTING, 3/8" x 3/4" SAE, 90°	1
13	2947-260	FITTING, 1/2" x 3/4", Female	2

Power Unit
04-2008
 Exhaust System

Taylor

MODEL OR SERIES	COMPONENT OR ASSEMBLY NUMBER
TY & TYB-160 thru 300 w/4-53 GM	

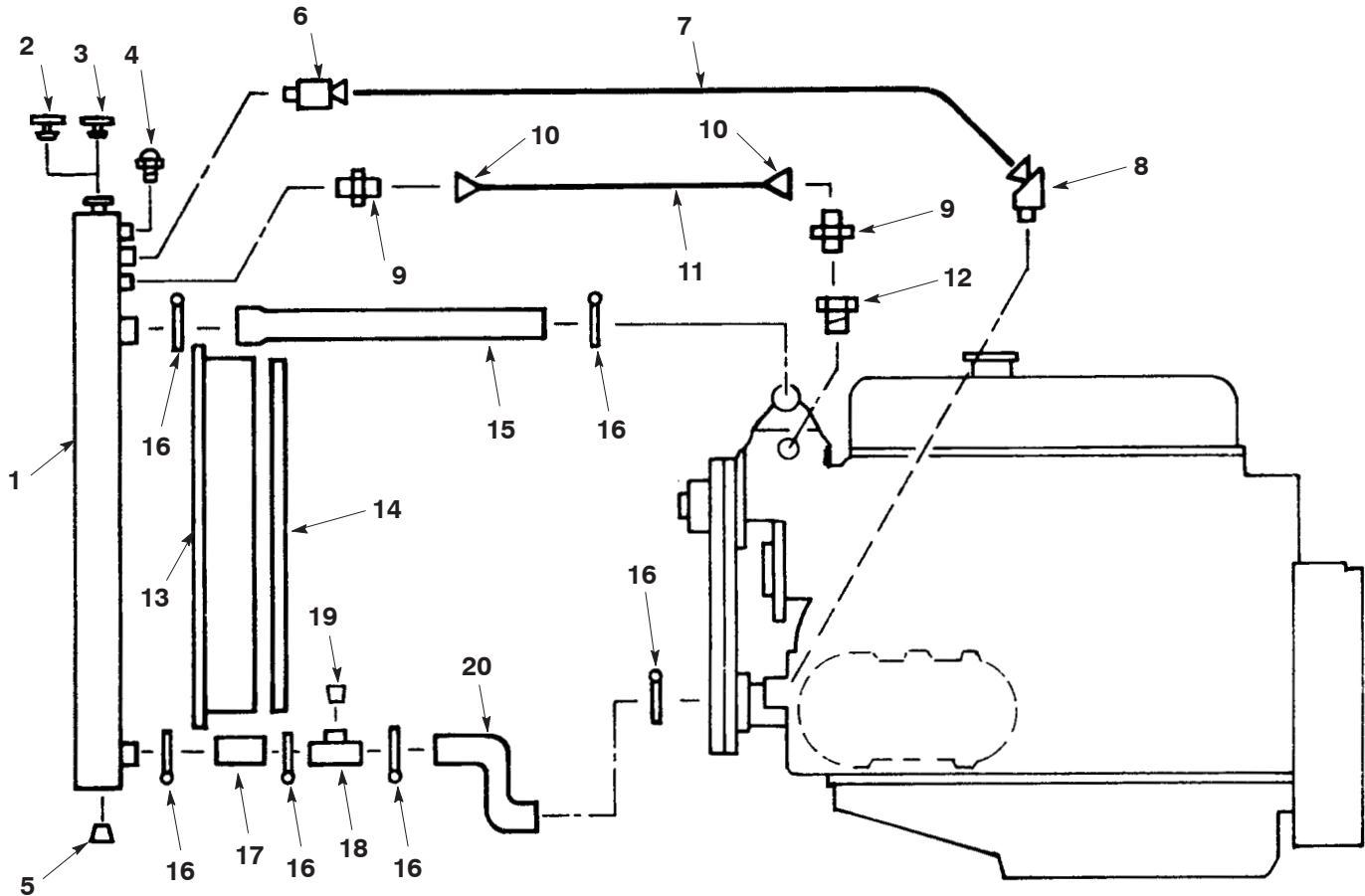


ITEM	PART NUMBER	DESCRIPTION	QTY.
1	1315-010	NUT, Brass, 3/8" NC	4
2	1275-010	STUD, 3/8" - 16 NC x 1-1/2"	4
3	I-1-23-1502	OUTLET, Exhaust	1
4	G-5145238	GASKET, Outlet	1
5	2387-011	CLAMP, Exhaust, 3-1/2"	2
6	I-0-23-3126	TUBING, Exhaust	1
7	I-1-23-1501	ELBOW, Exhaust	1
8	2403-339	CLAMP	5
9	I-1-23-1202	ADAPTER, Muffler Mount	1
10	1384	WASHER, Lock, 3/8"	6
11	1123	BOLT, 3/8" - 16 NC x 1-1/4"	4
12	2403-052	MUFFLER	1
13	2403-341	GUARD, Muffler	1
14	1133	BOLT, 3/8" - 16 NC x 3"	2
15	1315	NUT, 3/8" NC	2
16	2403-343	HANDLE	1
17	I-0-23-2608	TUBING, Tail Pipe	1
18	I-0-23-2928	BRACE, Muffler	1
19	1120	BOLT, 3/8" - 16 NC x 3/4"	2
20	1420	WASHER, Flat, 3/8"	2
21	I-0-23-3060	SPACER	2

Power Unit
05-2089
 Engine Cooling Circuit

Taylor

MODEL OR SERIES	COMPONENT OR ASSEMBLY NUMBER
TY & TYB-160S thru 300L w/DDC 4-53 & 2404-089 Radiator	

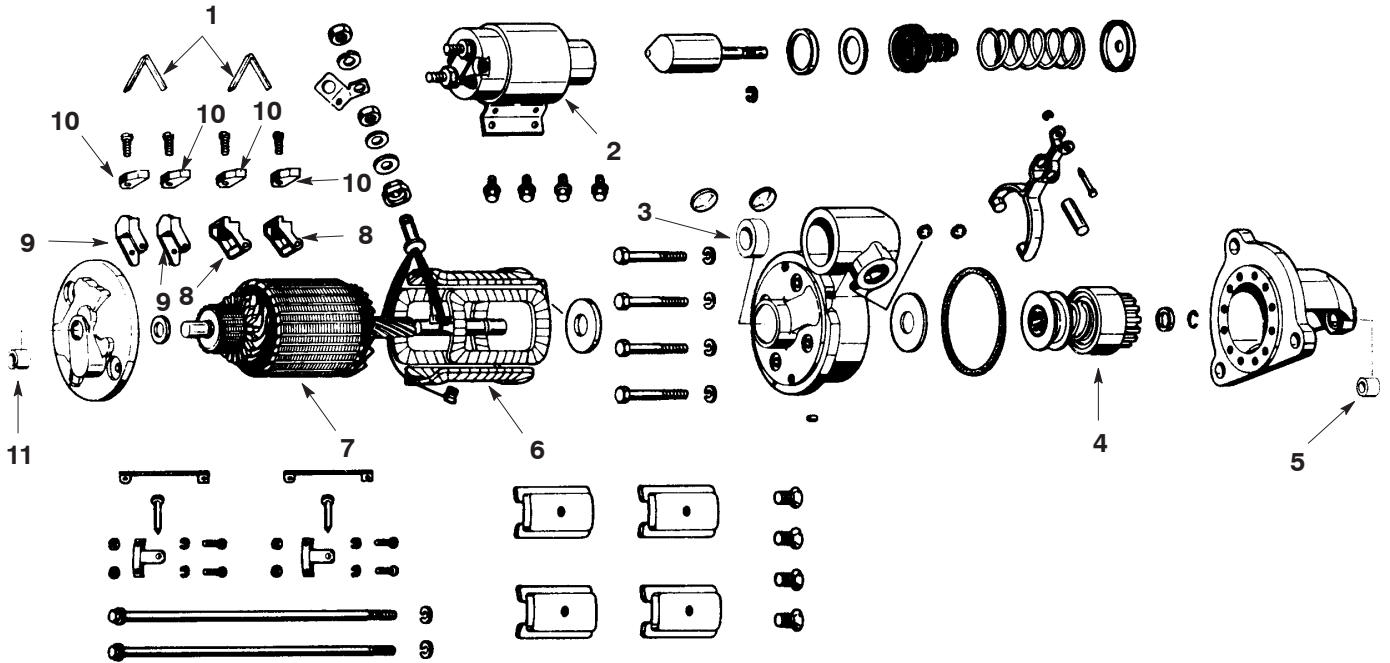


ITEM	PART NUMBER	DESCRIPTION	QTY.
1	2404-089	RADIATOR	1
2	2403-020	CAP, 7 psi	1
3	5593-192	CAP, 15 psi	1
4	5593-194	GLASS, Sight	2
5	1749-025	PLUG	1
6	2997	ADAPTER, 3/4" St.	1
7	I-1-32-0613	HOSE ASSEMBLY, 3/4" x 28"	1
8	2958-030	ADAPTER, 3/4", 45°	1
9	1665-001	FITTING, 1/4" x 7/16", St.	2
10	2947-250	FITTING, 1/4" x 7/16"	2
11	I-0-32-0381	HOSE, 1/4" x 38"	1
12	1558	BUSHING, 1/2" x 1/4"	1
13	I-1-23-2279	SHROUD	1
14	I-0-23-4463	PLATE, Shroud Opening	1
15	2377-083	HOSE, Radiator Top	1
16	1710-075	CLAMP	6
17	I-0-32-0300	HOSE, 2" x 3"	1
18	I-1-42-6093	PIPE, Lower Water	1
19	1482	PLUG	1
20	2375-961	HOSE, Radiator Bottom	1

Power Unit
06-300
 Starter Assembly

Taylor

MODEL OR SERIES	COMPONENT OR ASSEMBLY NUMBER
3-53 and 4-53 Detroit Diesel	4066-020

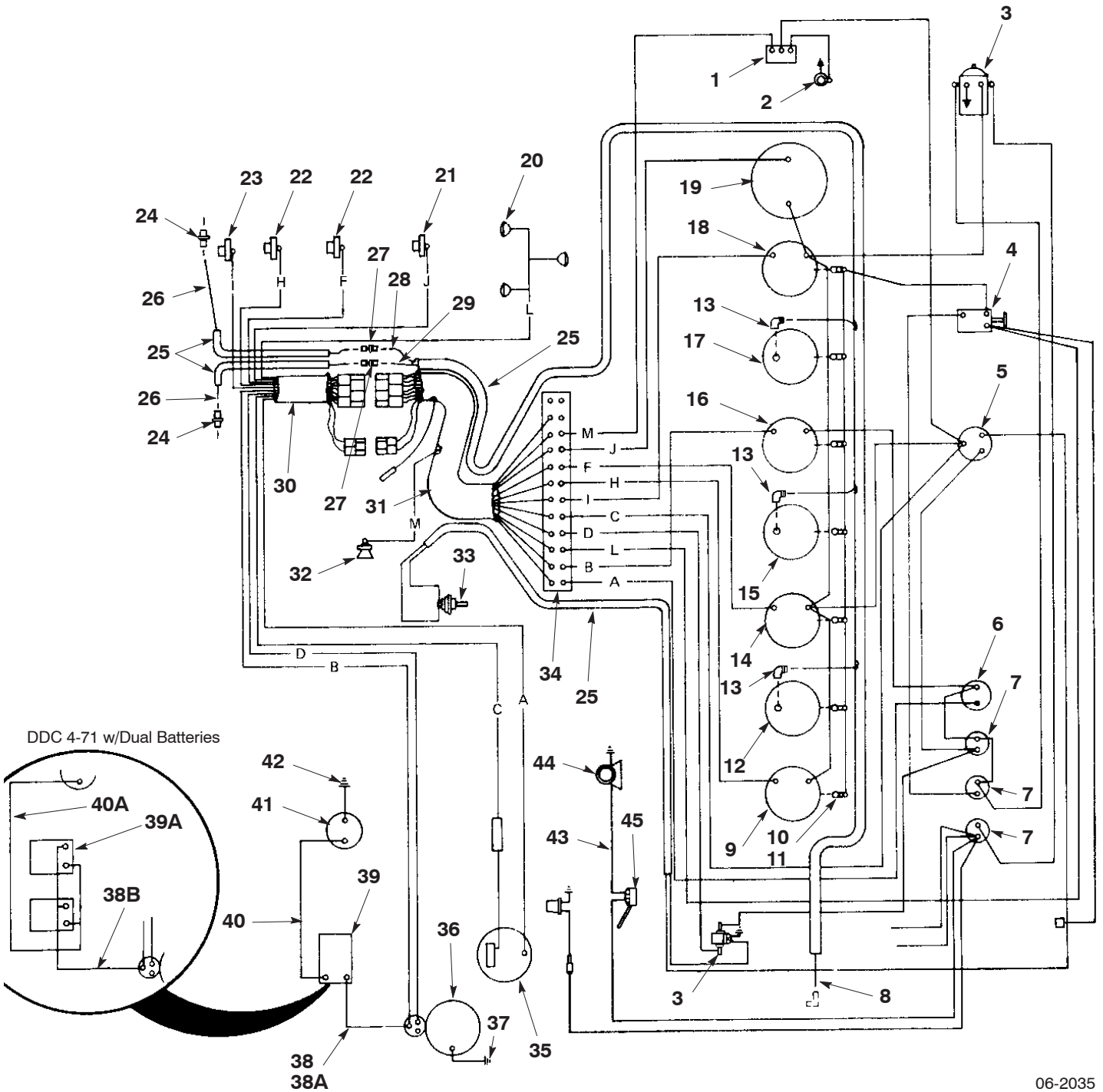


ITEM	PART NUMBER	DESCRIPTION	QTY.
	4066-020*	STARTER ASSEMBLY	
1	4066-175	BRUSH, Spring	2
2	4066-033	SWITCH, Solenoid	1
3	4066-135	BUSHING, Lever Housing	1
4	4066-200	DRIVE ASSEMBLY	1
5	4066-225	BUSHING, D.E.	1
6	4066-158	COIL ASSEMBLY, Field	1
7	4066-260	ARMATURE	1
8	4066-190	HOLDER, Insulated	2
9	4066-142	HOLDER, Ground	2
10	4066-061	BRUSH	4
11	4066-050	BUSHING, C.E.	1
*	9587-020	STARTER ASSEMBLY, Rebuilt	

Power Unit
06-2037
 Electrical Circuit

Taylor

MODEL OR SERIES	COMPONENT OR ASSEMBLY NUMBER
TY & TYB-160S thru 300L w/DDC 4-53 & DDC 4-71	



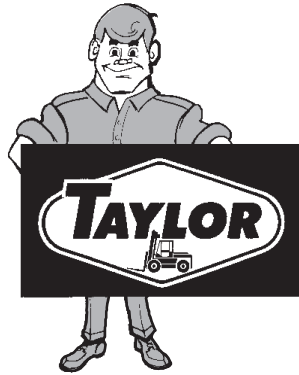
06-2035

ITEM	PART NUMBER	DESCRIPTION	QTY.
1	2315-010	RELAY, Horn	1
2	2316	BUTTON, Horn	1
3	2341-210	SOLENOID	2
4	2318-010	SWITCH, Light	1
5	2309-210	SWITCH, Ignition	1
6	2311-200	BREAKER, Circuit, 60 Amp.	1

Power Unit
06-2037A
 Electrical Circuit

Taylor

MODEL OR SERIES		COMPONENT OR ASSEMBLY NUMBER	
TY & TYB-160S thru 300L w/DDC 4-53 & DDC 4-71			
ITEM	PART NUMBER	DESCRIPTION	QTY.
7	2311-025	BREAKER, Circuit, 20 Amp.	3
8	I-0-32-0314	TUBING, Nylon, 3/16" x 24" Lg.	1
9	2734-083	GAUGE, Transmission Oil Temperature	1
10	2319-210	BULB, Instrument Panel Light	7
11	2324-710	SOCKET, Instrument Panel Light	7
12	2734-115	GAUGE, Transmission Oil Pressure	1
13	2243-828	FITTING, 3/16" x 1/8", 90°	3
14	2734-082	GAUGE, Engine Temperature	1
15	2734-113	GAUGE, Engine Oil Pressure	1
16	2734-107	AMMETER	1
17	2734-114	GAUGE, Air Pressure	1
18	2734-108	GAUGE, Fuel	1
19	3957	HOURMETER	1
20	2320	HEADLIGHT	3
NI	2320-110	LAMP	1
21	3961	SENDER, Hourmeter	1
22	2734-003	SENDER, Temperature	2
23	2733-141	SENDER, Fuel	1
24	2243-826	FITTING, 3/16" x 1/8", st.	2
24A	2243-827	FITTING, 3/16" x 1/8", 90° (TC-28 Transmission Only)	1
25	1730-300	CONDUIT, Flexguard	AR
26	I-0-32-0315	TUBING, Nylon, 3/16" x 36" Lg.	2
27	2243-825	UNION, Tubing	2
28	I-0-32-0313	TUBING, Nylon, 3/16" x 130" Lg.	1
29	I-0-32-0312	TUBING, Nylon, 3/16" x 140" Lg.	1
30	I-1-23-1190	HARNESS, Motor (4-53)	1
30A	I-1-23-1192	HARNESS, Motor (4-71)	1
31	I-1-23-1451	HARNESS, Panel	1
32	2315	HORN	1
33	2317-025	SWITCH, Neutral Start	1
34	2324-310	BLOCK, Terminal	1
35	2341-106	ALTERNATOR AND REGULATOR ASSEMBLY	1
36	4066-020*	STARTER (4-53)	1
36A	4066-027*	STARTER (4-71)	1
37	I-1-29-0033	CABLE, Battery (4-53)	1
37A	I-1-29-0069	CABLE, Battery (4-71)	1
38	I-1-29-0048	CABLE, Battery (4-53)	1
38A	I-1-29-0050	CABLE, Battery (4-71 w/One 2340-025 Battery)	1
38B	I-1-29-0110	CABLE, Battery (4-71 w/Two 2340-020 Batteries)	1
39	2340-025	BATTERY	1
39A	2340-020	BATTERY, 4D	2
40	I-1-29-0060	CABLE, Battery	1
40A	I-1-29-0111	CABLE, Battery	1
41	2316-500	SWITCH, Master Disconnect	1
42	I-1-29-0082	CABLE, Battery	1
43	2319	ROTO-BEACON	1
44	1000-092	ALARM, Back-Up	1
45	2317-100	SWITCH, Back-Up Alarm	1
*	9587-020	STARTER, Rebuilt (4-53)	1



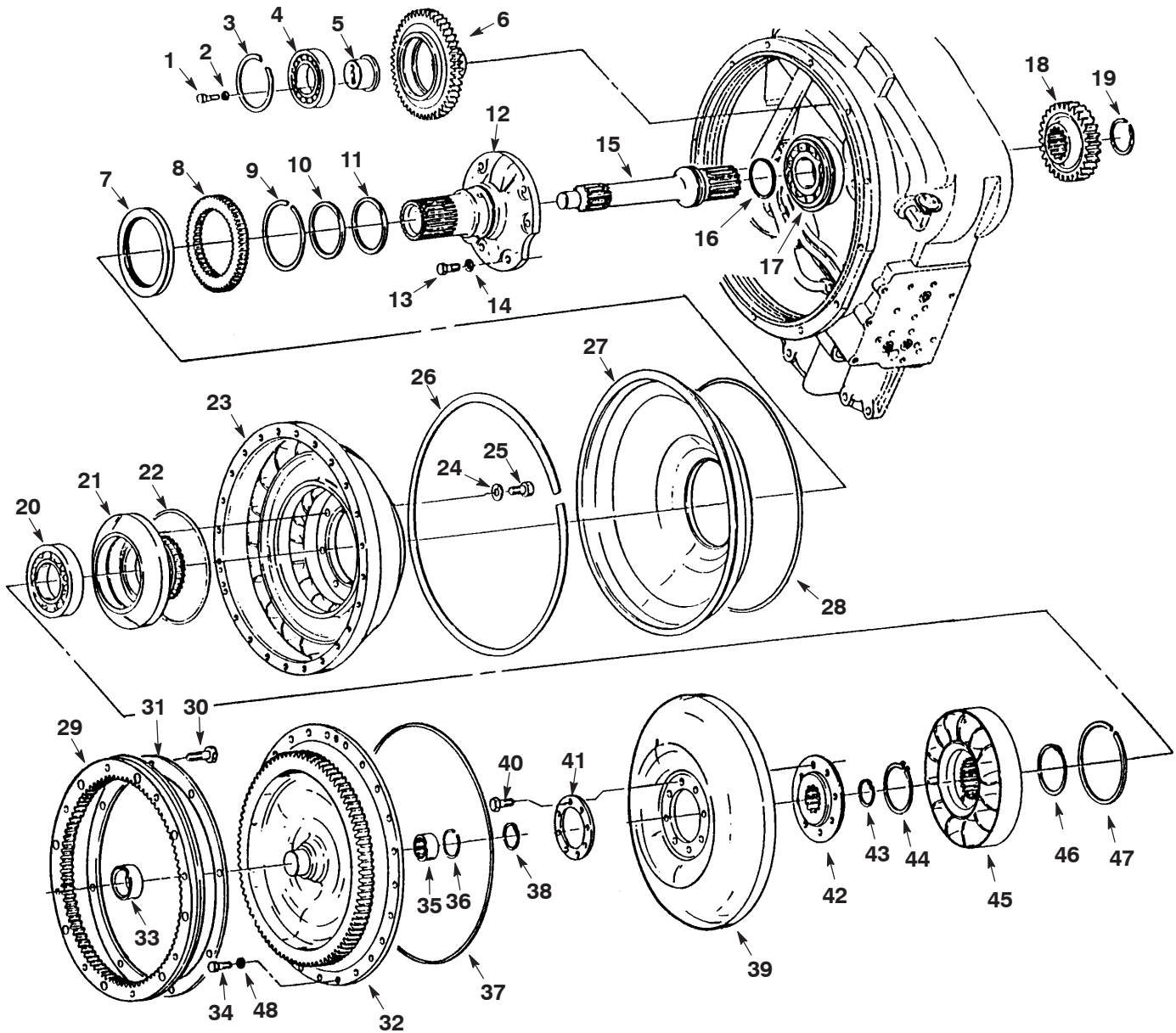
Power Transfer

Functional Group	Section
Clutch	08
Transmission	09
Transfer Case	10
Drive Shaft	11
Parking Brake	12

Power Transfer
09-045-2
 Converter Group

Taylor

MODEL OR SERIES	COMPONENT OR ASSEMBLY NUMBER		
See P. S. O.	TC-28	13HR28330-1	2547-518



ITEM	PART NUMBER	DESCRIPTION	QTY.
1	1042	BOLT, Bearing Support	6
2	4519-529	WASHER, Bearing Support Lock	6
3	4519-043	RING, Drive Gear Snap	3
4	4519-932	BEARING, Drive Gear	3
5	4519-067	SUPPORT, Drive Gear Bearing	3
6	4519-068	GEAR, Drive	3
7	4519-251*	SEAL, Oil	1
8	4519-064	GEAR, Impeller Hub	1

Power Transfer
09-045-2A
 Converter Group

Taylor

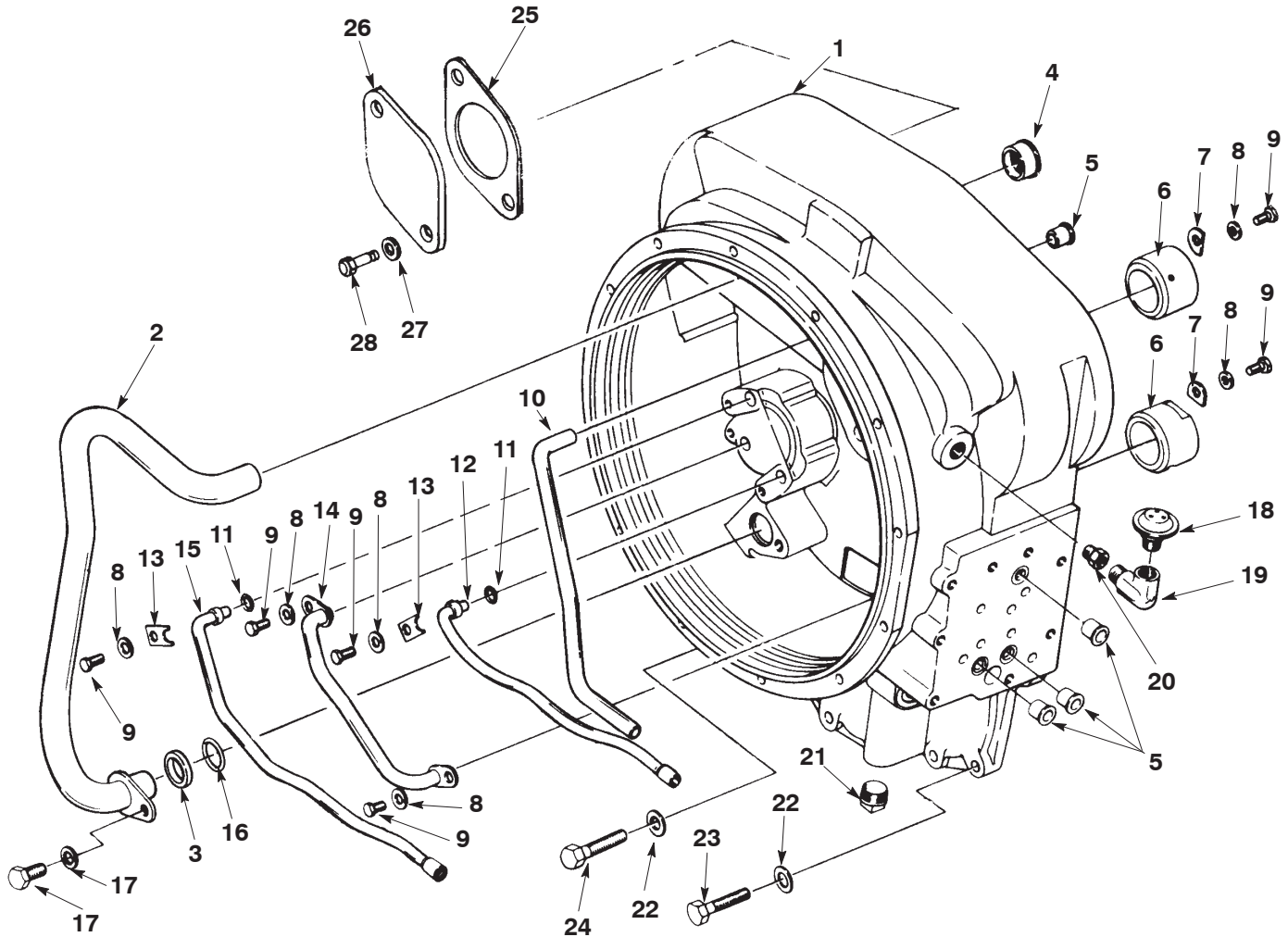
MODEL OR SERIES		COMPONENT OR ASSEMBLY NUMBER		
See P. S. O.		TC-28	13HR28330-1	2547-518

ITEM	PART NUMBER	DESCRIPTION	QTY.
9	4519-044	RING, Snap	1
10	4519-269*	RING, Stator Support Oil Sealing	1
11	4519-270	SPRING, Piston Ring Expander	1
12	4519-268	SUPPORT, Stator	1
13	4519-505	BOLT, Stator Support	6
14	4519-545	WASHER, Stator Support Lock	6
15	4519-016	SHAFT, Turbine	1
16	4519-219*	RING, Turbine Shaft Oil Sealing	1
17	4519-053	BEARING, Turbine Shaft	1
18	4518-784***	GEAR, Turbine Shaft	1
19	4519-045	RING, Retaining	1
20	4519-250	BEARING, Impeller Hub	1
21	4519-267	HUB, Impeller	1
22	4519-277*	O-RING, Impeller Hub	1
23	4520-378	IMPELLER	1
24	3809-556	RING, Impeller Screw Backing	1
25	3809-555	BOLT, Hub to Impeller	12
26	4519-074	RING, Retaining	1
27	4519-066	BAFFLE, Oil	1
28	4519-110*	RING, Oil Baffle Seal	1
	2547-557	KIT, Flywheel Ring Gear & Backing Ring (16 Hole Non-asbestos)	1
29	2547-558	KIT, Ring Gear & Bolt	1
30	4520-310	BOLT	1
31	2547-559	RING, Backing (16 Hole)	1
29A	2547-998**	GEAR, Flywheel Ring (32 Hole)	1
30A	2547-977**	BOLT	32
31A	2547-997**	RING, Backing (32 Hole)	1
32	4520-495	COVER, Impeller	1
33	4519-031	SLEEVE, Impeller Cover	1
34	4420-552	BOLT	24
35	4519-021	BEARING, Impeller Cover	1
36	4519-158	RING, Retainer	1
37	4519-143*	O-RING, Impeller Cover	1
38	4519-156	RING, Turbine Retainer	1
39	4519-039	TURBINE	1
40	4519-011	BOLT, Turbine Hub	8
41	4519-153	WASHER, Turbine Hub	8
42	4519-015	HUB, Turbine	1
43	4519-156	RING, Turbine Locating	1
44	4519-162	RING, Reaction Member Retainer	1
45	4519-275	MEMBER, Reaction	1
46	4519-062	SPACER, Reaction Member	1
47	4420-768	RING, Retainer	1
48	4519-288	LOCKWASHER	24
		*Included in 4443-312 Seal Kit	
		**Included in I-1-98-0133 Flywheel Kit	
***	4521-844	KIT, Input Gear	1

Power Transfer
09-045-3
 Converter Housing

Taylor

MODEL OR SERIES	COMPONENT OR ASSEMBLY NUMBER		
See P. S. O.	TC-28	13HR28330-1	2547-518



ITEM	PART NUMBER	DESCRIPTION	QTY.
1	4519-113	CONVERTER HOUSING AND TUBE ASSEMBLY	1
2	4519-137	SUCTION TUBE ASSEMBLY	1
3	4520-481	RING, Spacer	1
4	4519-073	SLEEVE, Tube	1
5	4519-032	SLEEVE, Tube	4
6	3809-557	SLEEVE, Converter Housing	2
7	4519-072	LOCK, Converter Housing Sleeve	2
8	1381	WASHER, Lock	6
9	4519-422	BOLT, Converter Housing Sleeve	6
10	4519-096	TUBE, Valve Oil Supply	1
11	4519-185*	O-RING, Third Speed Tube	2
12	4519-095	TUBE ASSEMBLY, Third Speed	1
13	4519-085	CLIP, Tube	2
14	4519-170	TUBE ASSEMBLY, Lube	1
15	4519-094	TUBE ASSEMBLY, Reverse	1

Power Transfer
09-045-3A
 Converter Housing

Taylor

MODEL OR SERIES		COMPONENT OR ASSEMBLY NUMBER		
See P. S. O.		TC-28	13HR28330-1	2547-518

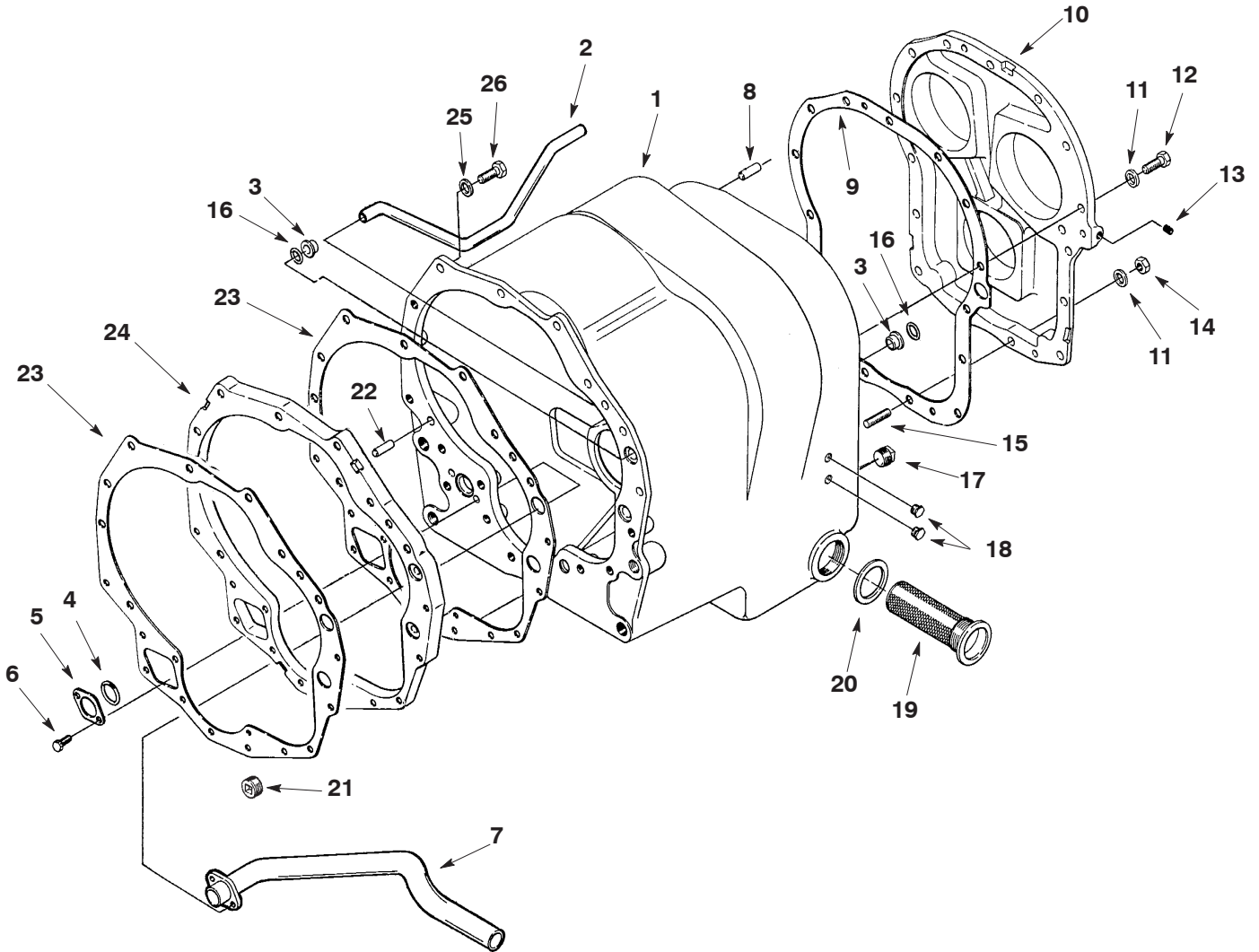
ITEM	PART NUMBER	DESCRIPTION	QTY.
16	4520-032*	O-RING, Suction Tube	1
17	4519-544	BOLT AND LOCKWASHER, Suction Tube Retainer	1
18	3939-075	BREATHER	1
19	1577	ELL, Street	1
20	1555	BUSHING, Reducer	1
21	3809-564	PLUG, Pipe	1
22	4519-924	WASHER, Lock	2
23	3809-542	BOLT, Converter Housing to Transmission Housing	4
24	G-450501	BOLT, Converter Housing to Transmission Housing	4
25	4520-438*	GASKET, Pump Cover	1
26	S.O.	COVER, Pump	1
27	1384	WASHER, Lock	2
28	1123	BOLT, 3/8" - 16 NC x 1-1/4"	2

*Included in 4443-312 Seal Kit

Power Transfer
09-045-4
 Transmission Case

Taylor

MODEL OR SERIES	COMPONENT OR ASSEMBLY NUMBER		
See P. S. O.	TC-28	13HR28330-1	2547-518



ITEM	PART NUMBER	DESCRIPTION	QTY.
1	4520-427	TRANSMISSION CASE ASSEMBLY	1
2	4519-080	TUBE, Low Speed Clutch Pressure	1
3	4519-032	SLEEVE, Tube	2
4	4519-210*	O-RING, Suction Tube	1
5	4519-171	WASHER, Retainer	1
6	3809-543	BOLT, Suction Tube Retainer	2
7	4520-428	TUBE ASSEMBLY, Suction	1
8	4519-013	PIN, Dowel	2
9	4519-126*	GASKET, Case to Cover	1
10	4519-103	COVER, Case Cover	1
11	4519-924	WASHER, Lock	23
12	4519-280	BOLT, Cover to Case	21
13	4519-933	PLUG, Pipe	1

Power Transfer
09-045-4A
 Transmission Case

Taylor

MODEL OR SERIES		COMPONENT OR ASSEMBLY NUMBER		
See P. S. O.		TC-28	13HR28330-1	2547-518

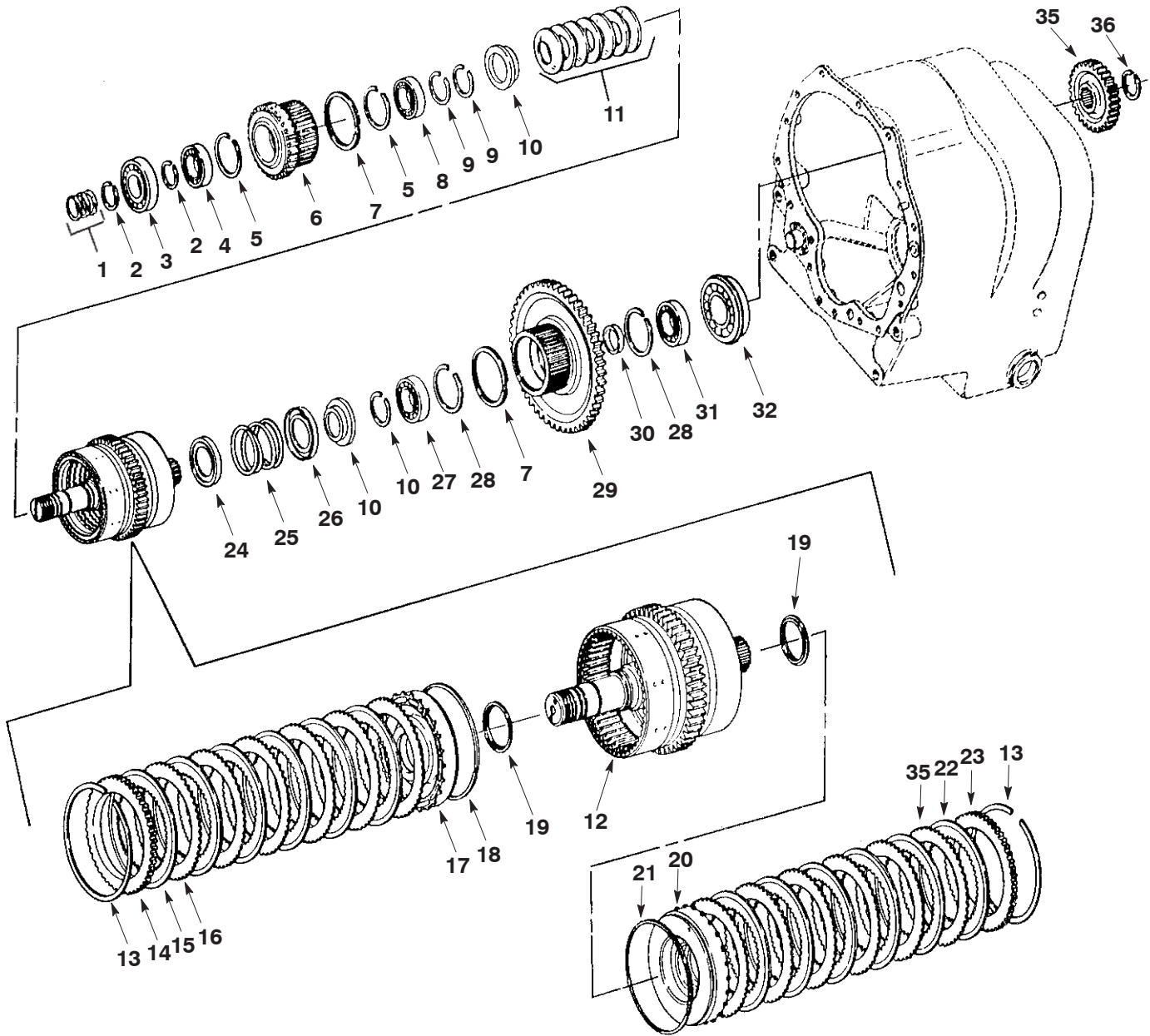
ITEM	PART NUMBER	DESCRIPTION	QTY.
14	3809-545	NUT, Cover to Case	2
15	4519-010	STUD, Cover to Case	2
16	4519-202*	O-RING, Tube Sleeve	2
17	3808-440	PLUG, Drain	1
18	4519-001	PLUG, Oil Level	2
19	4520-333	SCREEN ASSEMBLY	1
20	3939-170*	GASKET, Screen	1
21	4519-934	PLUG, Pipe	1
22	4520-487	PIN, Dowel	1
23	4519-111*	GASKET, Housing to Spacer	2
24	4520-486	SPACER, Housing to Case	1
25	4519-924	WASHER, Lock	10
26	1138	BOLT, Case to Housing	10

*Included in 4443-312 Seal Kit

Power Transfer
09-045-5
 Reverse and Third Gear and Clutch

Taylor

MODEL OR SERIES	COMPONENT OR ASSEMBLY NUMBER		
See P. S. O.	TC-28	13HR28330-1	2547-518



ITEM	PART NUMBER	DESCRIPTION	QTY.
1	4519-023*	RING, Shaft Piston	3
2	4519-048	RING, Retainer	2
3	4519-055	BEARING, Reverse and Third Shaft Front	1
4	4520-443	BEARING, Driven Gear	1
5	4520-413	RING, Snap	2
6	4518-785**	GEAR, Clutch Driven	1

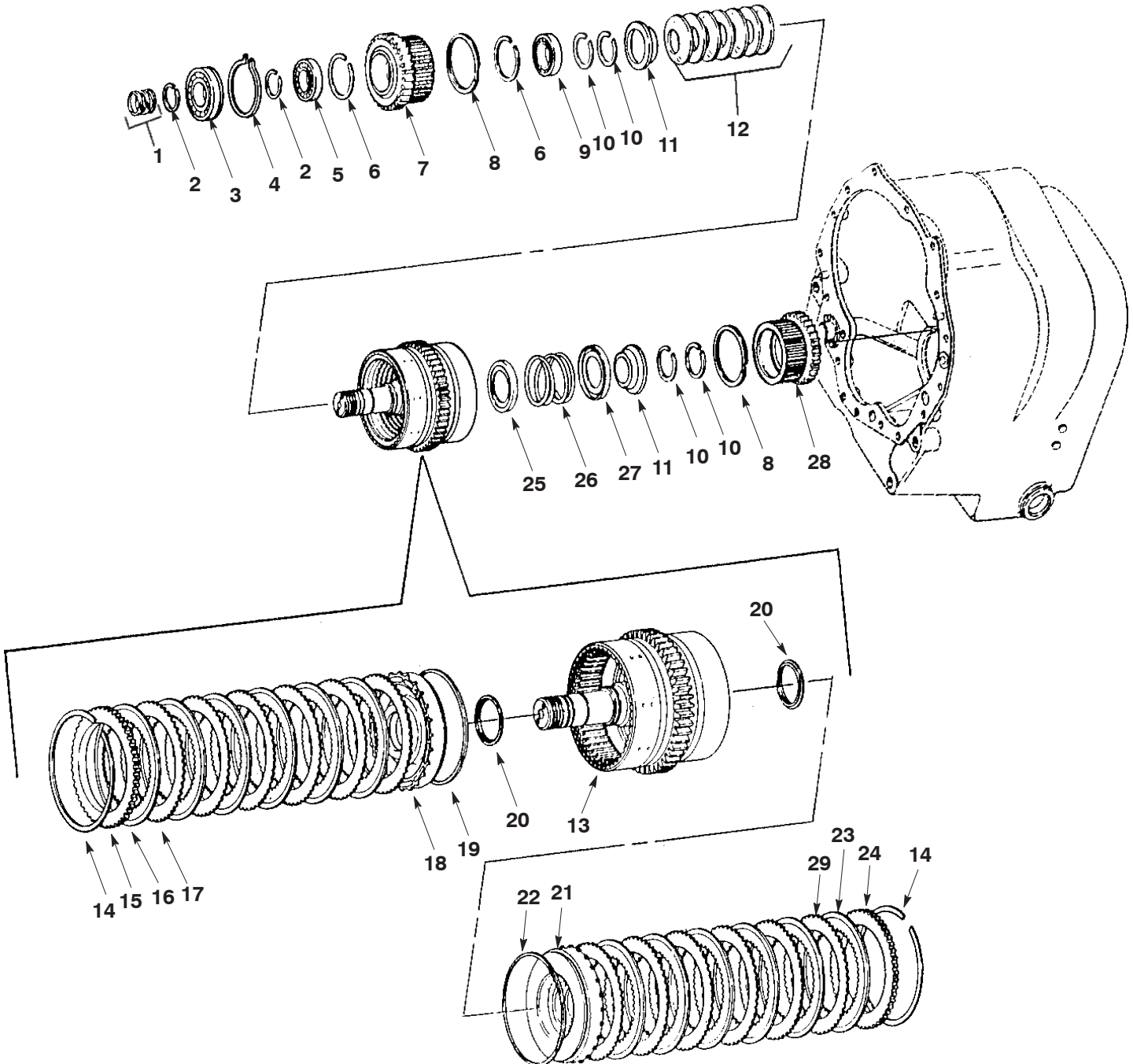
Power Transfer

09-045-6

Forward and Second Gear and Clutch

Taylor

MODEL OR SERIES	COMPONENT OR ASSEMBLY NUMBER		
See P. S. O.	TC-28	13HR28330-1	2547-518

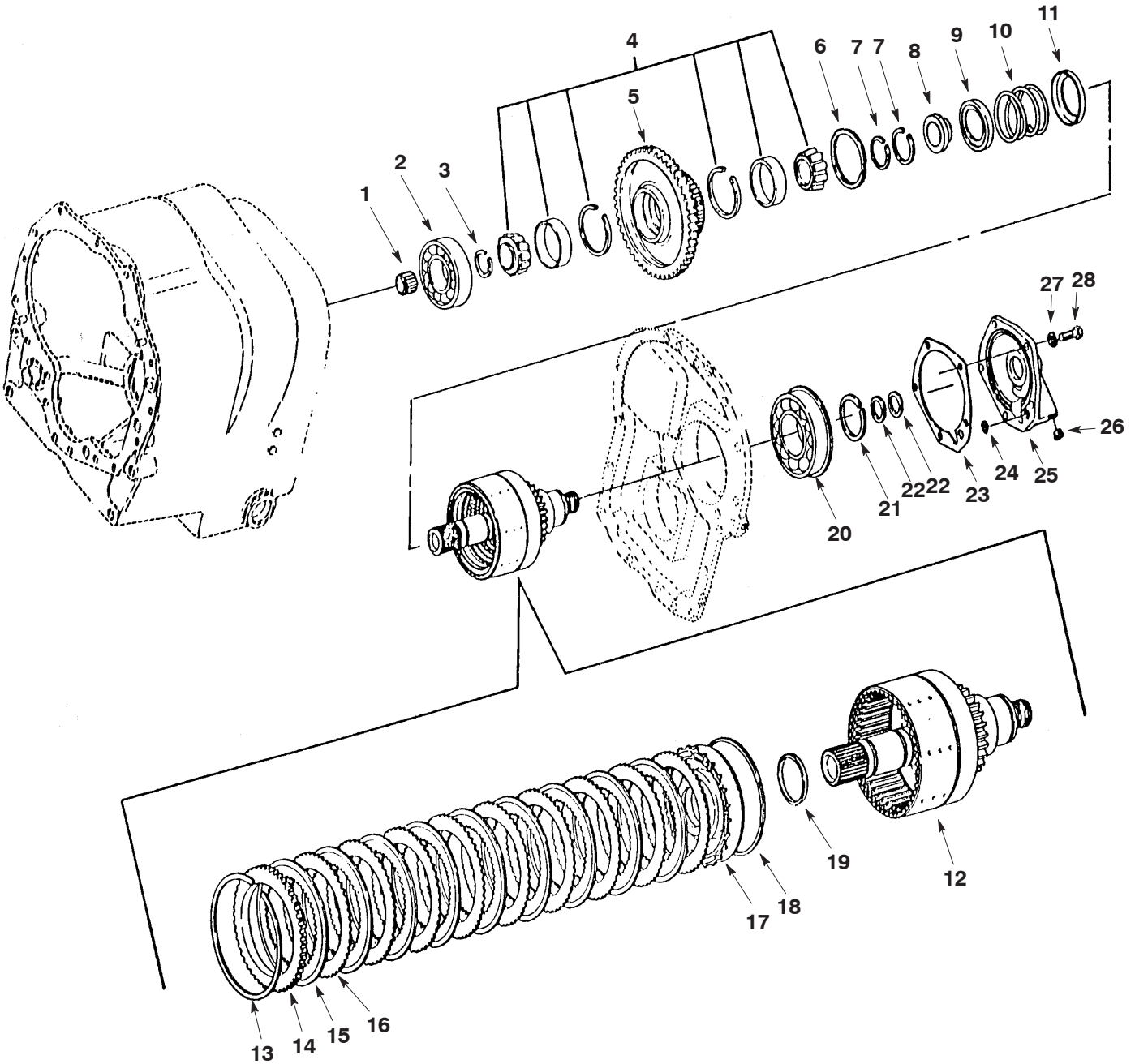


ITEM	PART NUMBER	DESCRIPTION	QTY.
1	4519-023*	RING, Shaft Piston	3
2	4519-048	RING, Front Bearing Retainer	2
3	4519-038	BEARING, Forward and Second Shaft Front	1
4	4519-079	RING, Locating	1
5	4520-443	BEARING, Driven Gear	1
6	4520-413	RING, Snap	2

Power Transfer
09-045-7
 Low Gear and Clutch

Taylor

MODEL OR SERIES	COMPONENT OR ASSEMBLY NUMBER		
See P. S. O.	TC-28	13HR28330-1	2547-518



ITEM	PART NUMBER	DESCRIPTION	QTY.
1	4519-077	BEARING, Low Speed Clutch Shaft Pilot	1
2	4520-335	BEARING, Second Gear	1
3	4519-169	RING, Retainer	1
4	4519-125	BEARING ASSEMBLY, Low Gear	1
5	4519-140	GEAR, Low	1
6	4519-160	RING, Low Gear Oil Baffle	1
7	4519-134	RING, Low Gear Bearing Retainer	1

Power Transfer
09-045-7A
 Low Gear and Clutch

Taylor

MODEL OR SERIES	COMPONENT OR ASSEMBLY NUMBER
See P. S. O.	TC-28 13HR28330-1 2547-518

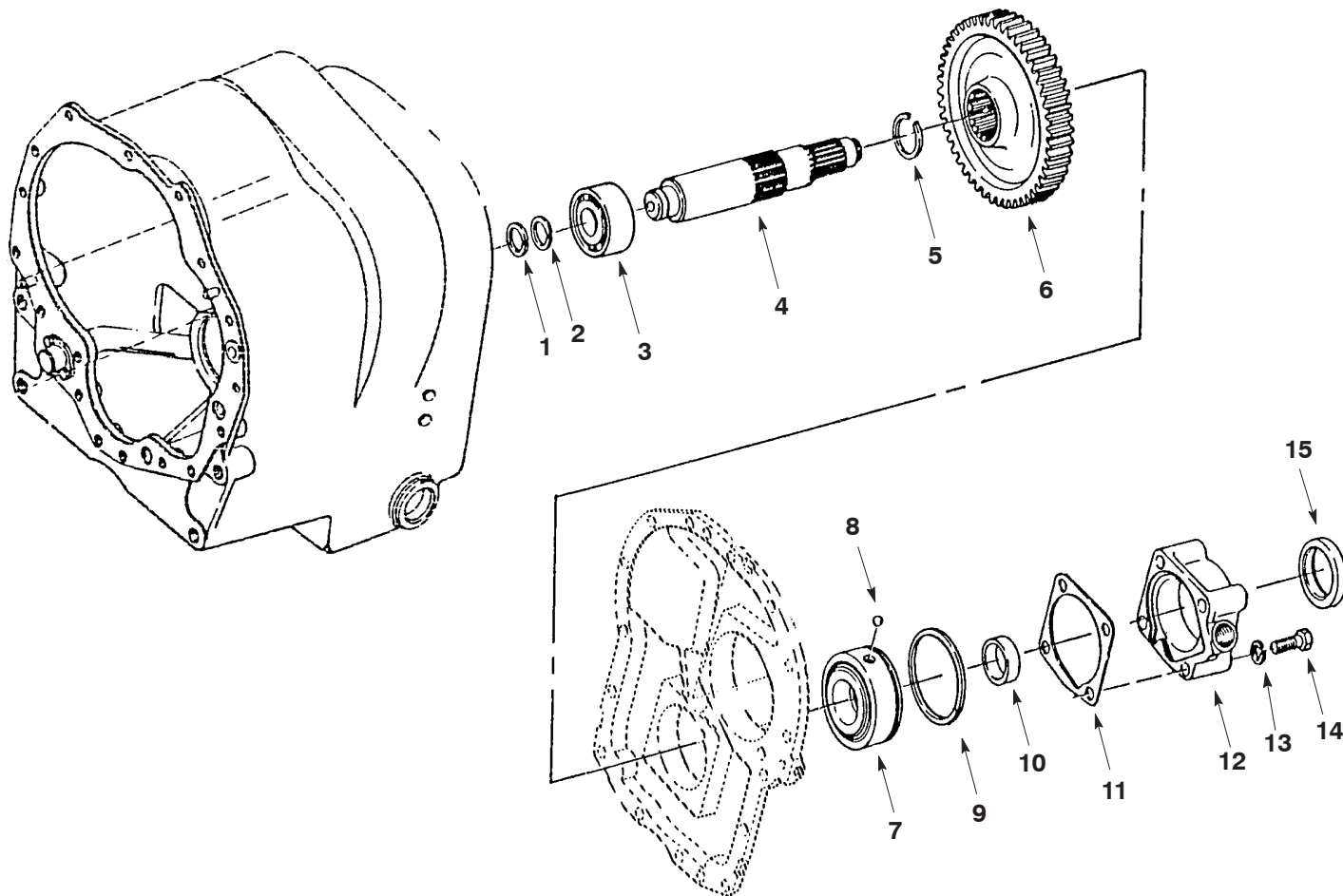
ITEM	PART NUMBER	DESCRIPTION	QTY.
8	4519-931	KIT, Washer and Retainer	1
9	4519-136	RETAINER, Return Spring	1
10	4519-069	SPRING, Return	1
11	4520-347	RETAINER, Return Spring	1
12	4520-444	CLUTCH SHAFT AND DRUM, Low Speed	1
13	4519-024	RING, End Plate Retainer	1
14	4519-052	PLATE, End	1
15	4443-320	DISC, Clutch, Inner	9
16	4443-293	DISC, Clutch, Outer	9
	4520-577	PISTON ASSEMBLY	1
17	4520-579	PISTON, Clutch	1
18	4519-051*	RING, Outer Seal	1
19	4519-075*	RING, Inner Seal	1
20	4519-083	BEARING, Low Shaft Rear	1
21	4519-135	RING, Retainer	1
22	4520-126*	RING, Low Shaft Piston	2
23	4520-339*	GASKET, Rear Bearing Cap	1
24	4519-189*	O-RING, Rear Bearing Cap	1
25	4519-102	CAP, Low Shaft Rear Bearing	1
26	4519-933	PLUG, Cap	1
27	4519-288	WASHER, Bearing Cap Lock	5
28	4420-553	BOLT, Bearing Cap Lock	5

*Included in 4443-312 Seal Kit

Power Transfer
09-045-8
 Output Shaft

Taylor

MODEL OR SERIES	COMPONENT OR ASSEMBLY NUMBER		
See P. S. O.	TC-28	13HR28330-1	2547-518



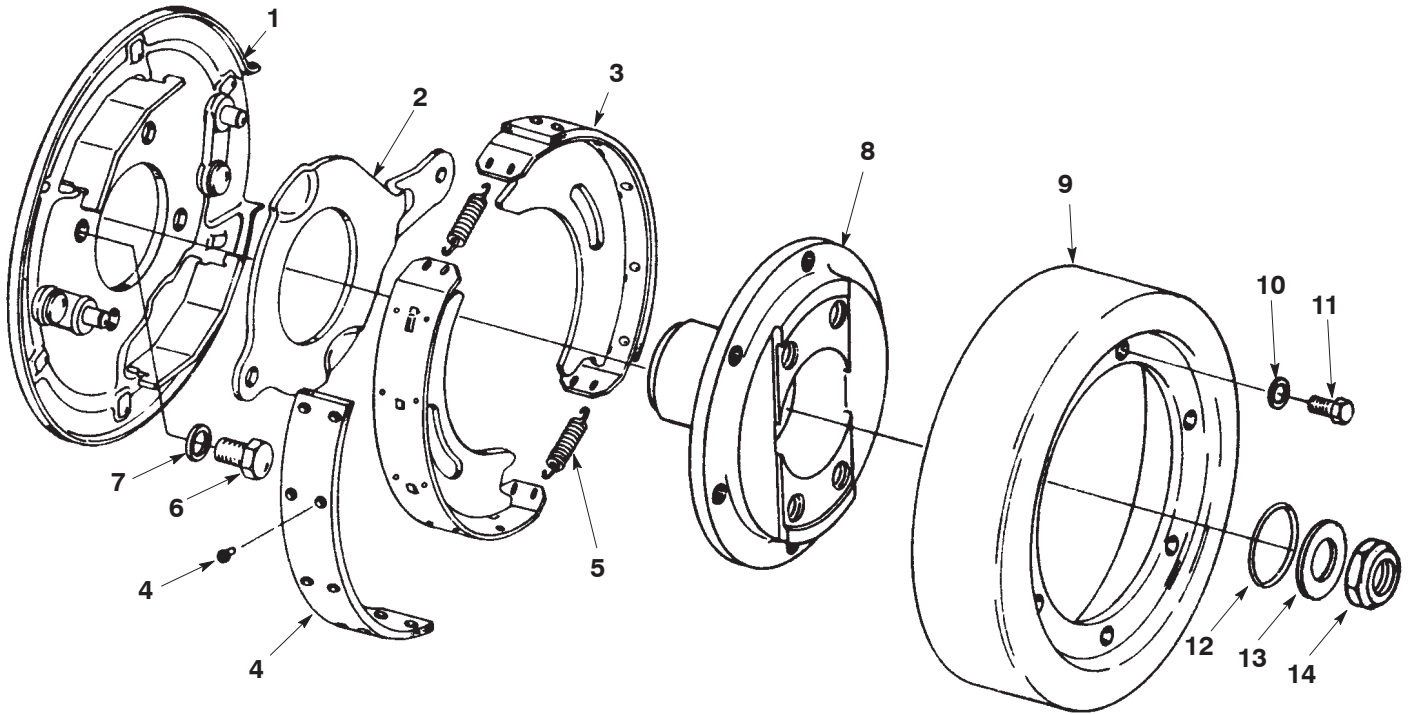
ITEM	PART NUMBER	DESCRIPTION	QTY.
1	4519-042	BEARING, Locating Ring	1
2	4519-048	RING, Bearing Retaining	1
3	4520-494	BEARING, Output Shaft Front	1
4	4520-429	SHAFT, Output	1
5	4519-047	RING, Retaining	1
6	4520-445	GEAR, Output Shaft	1
7	4519-120	BEARING, Output Shaft Rear	1
8	4520-011	BALL, Lock	1
9	4519-082	RING, Locating	1
10	4520-431	SPACER, Rear Bearing	1
11	4520-433*	GASKET, Rear Bearing Cap	1
12	4520-488	CAP, Bearing	1
13	4519-540	WASHER, Lock, Bearing Cap	4
14	4519-966	BOLT, Bearing Cap	4
15	4443-304*	SEAL, Oil	1

*Included in 4443-312 Seal Kit

Power Transfer
09-045-9
 Brake Assembly

Taylor

MODEL OR SERIES	COMPONENT OR ASSEMBLY NUMBER		
See P. S. O.	TC-28	13HR28330-1	2547-518



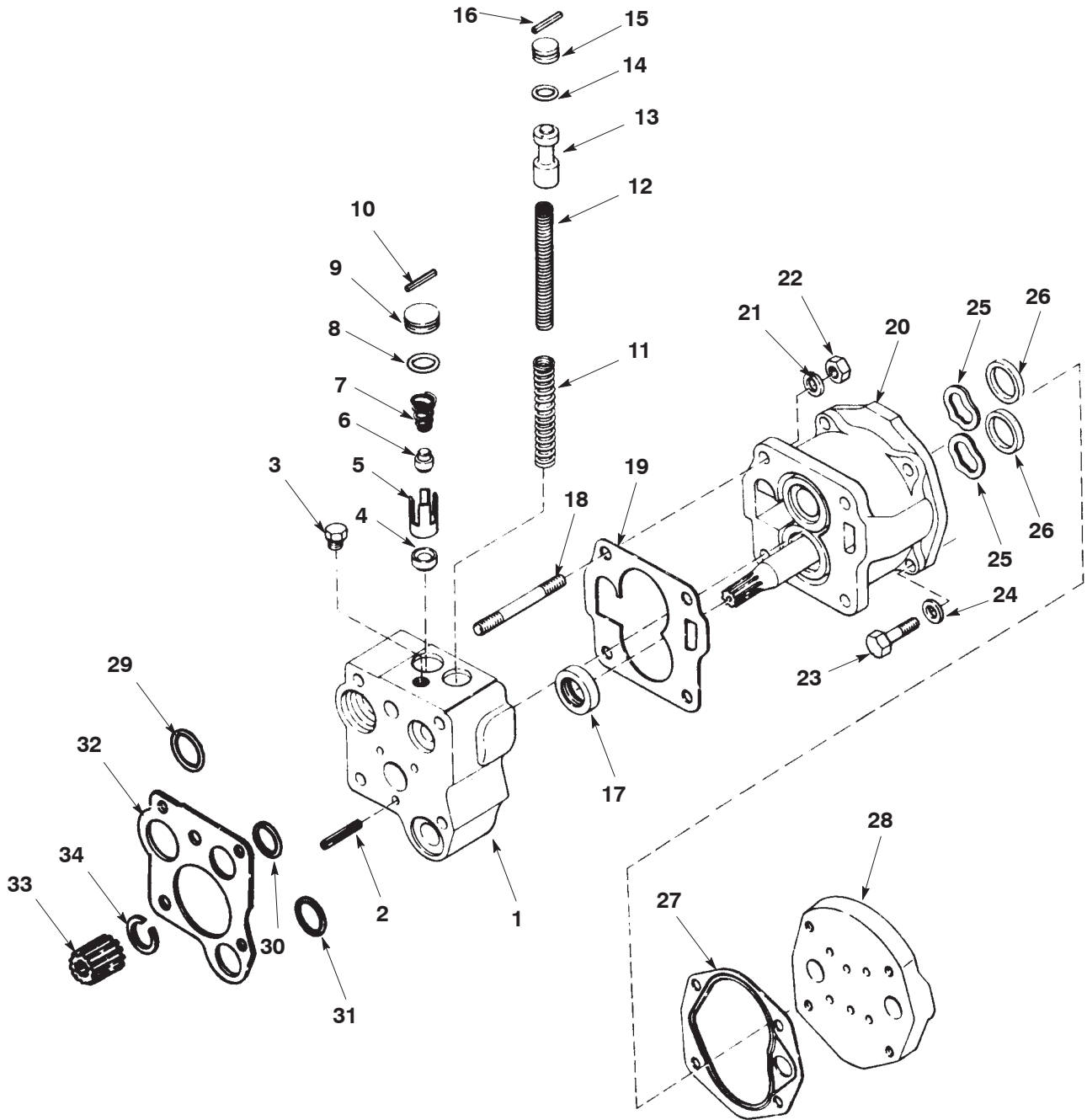
ITEM	PART NUMBER	DESCRIPTION	QTY.
	4520-417	BRAKE ASSEMBLY	
1	4519-168	PLATE, Backing	1
2	4519-911	LEVER, Actuating	1
3	4519-164	BRAKE SHOE AND LINING	1
4	4519-166	KIT, Brake Lining and Rivet	1
5	4519-165	SPRING, Return	2
6	4519-510	BOLT, Backing Plate	4
7	4519-540	LOCKWASHER, Backing Plate	4
8	4519-057	FLANGE, Brake	1
9	4519-022	DRUM, Brake	1
10	4519-288	LOCKWASHER, Brake Drum to Flange	6
11	1019-025	BOLT, Brake Drum to Flange	6
12	4519-006*	O-RING, Flange	1
13	4519-034	WASHER, Flange	1
14	4519-037	NUT, Flange	1

*Included in 4443-312 Seal Kit

Power Transfer
09-045-10
 Pressure Regulator and Charging Pump

Taylor

MODEL OR SERIES	COMPONENT OR ASSEMBLY NUMBER		
See P. S. O.	TC-28	13HR28330-1	2547-518



ITEM	PART NUMBER	DESCRIPTION	QTY.
1	4520-327	VALVE ASSEMBLY, Pressure Regulator	1
2	4519-149	PIN, Valve Body Roll	3
3	4519-001	PLUG, Pipe	1
4	4519-147	SEAT, Safety Valve	1
5	4519-148	SPACER, Safety Valve	1
6	4519-036	PLUNGER, Safety Valve	1
7	4519-035	SPRING, Safety Valve	1
8	4519-968*	O-RING	1

Power Transfer
09-045-10A
 Pressure Regulator and Charging Pump

Taylor

MODEL OR SERIES	COMPONENT OR ASSEMBLY NUMBER		
See P. S. O.	TC-28	13HR28330-1	2547-518

ITEM	PART NUMBER	DESCRIPTION	QTY.
9	4519-060	STOP, Valve	1
10	4520-993	PIN, Roll	1
11	4520-475	SPRING, Valve, Outer	1
12	4519-050	SPRING, Valve, Inner	1
13	4519-088	PISTON, Valve	1
14	4519-967*	O-RING	1
15	4519-029	STOP, Valve	1
16	4520-993	PIN, Valve Stop Roll	1
17	4443-305*	SEAL, Oil	1
18	4519-091	STUD, Valve to Converter Housing	4
19	4520-330*	GASKET, Valve Body to Pump	1
20	4520-458**	PUMP ASSEMBLY, Charging	1
21	4519-529	LOCKWASHER, Stud to Pump	4
22	3809-544	NUT, Stud to Pump	4
23	1141	BOLT, Pump to Cover Adapter	4
24	4519-529	LOCKWASHER, Pump to Cover Adapter	4
25	4520-449*	SPRING, Wave	2
26	4520-450*	SEAL, Pump Shaft	2
27	4520-340*	GASKET, Pump to Cover	1
28	4520-457	COVER, Pump	1
29	4519-172*	O-RING	1
30	4519-174*	O-RING	1
31	4519-173*	O-RING	1
32	4519-274*	GASKET	1
33	4520-482	SLEEVE AND SNAP RING	1
34	4519-046	SNAP RING	1

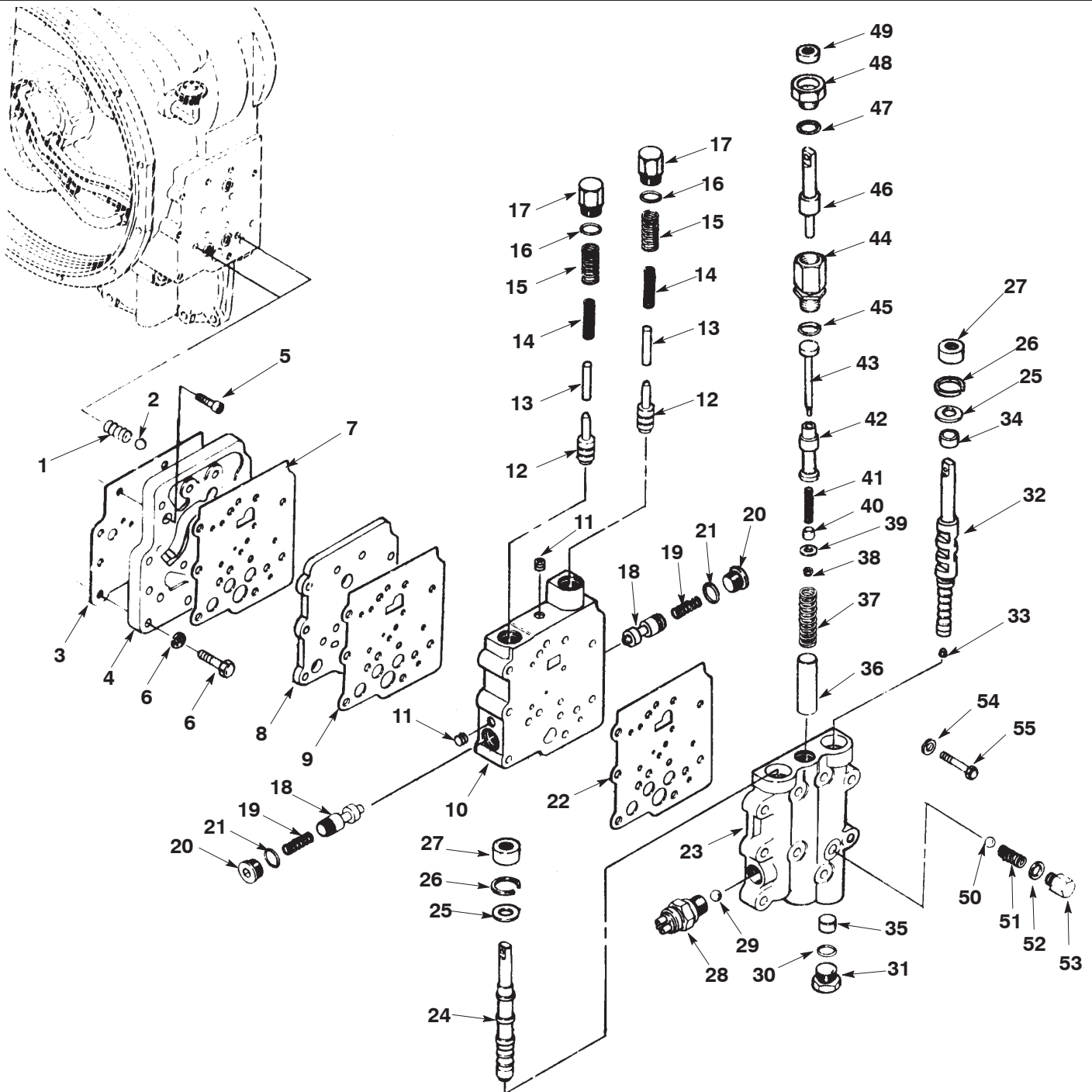
*Included in 4443-312 Seal Kit

**4520-600 Repair Kit

Power Transfer
09-045-11
 Modulated and Control Valve

Taylor

MODEL OR SERIES	COMPONENT OR ASSEMBLY NUMBER		
See P. S. O.	TC-28	13HR28330-1	2547-518



ITEM	PART NUMBER	DESCRIPTION	QTY.
1	4520-401	SPRING, Detent	2
2	4520-016	BALL, Detent	2
3	4520-437*	GASKET, Adapter to Converter Housing	1
4	4520-434	HOUSING, Valve Adapter	1
5	4519-912	BOLT, Adapter to Housing	5
6	4519-913	BOLT AND LOCKWASHER	4
7	4518-783	GASKET, Adapter Housing to Plate	1

Power Transfer
09-045-11A
 Modulated and Control Valve

Taylor

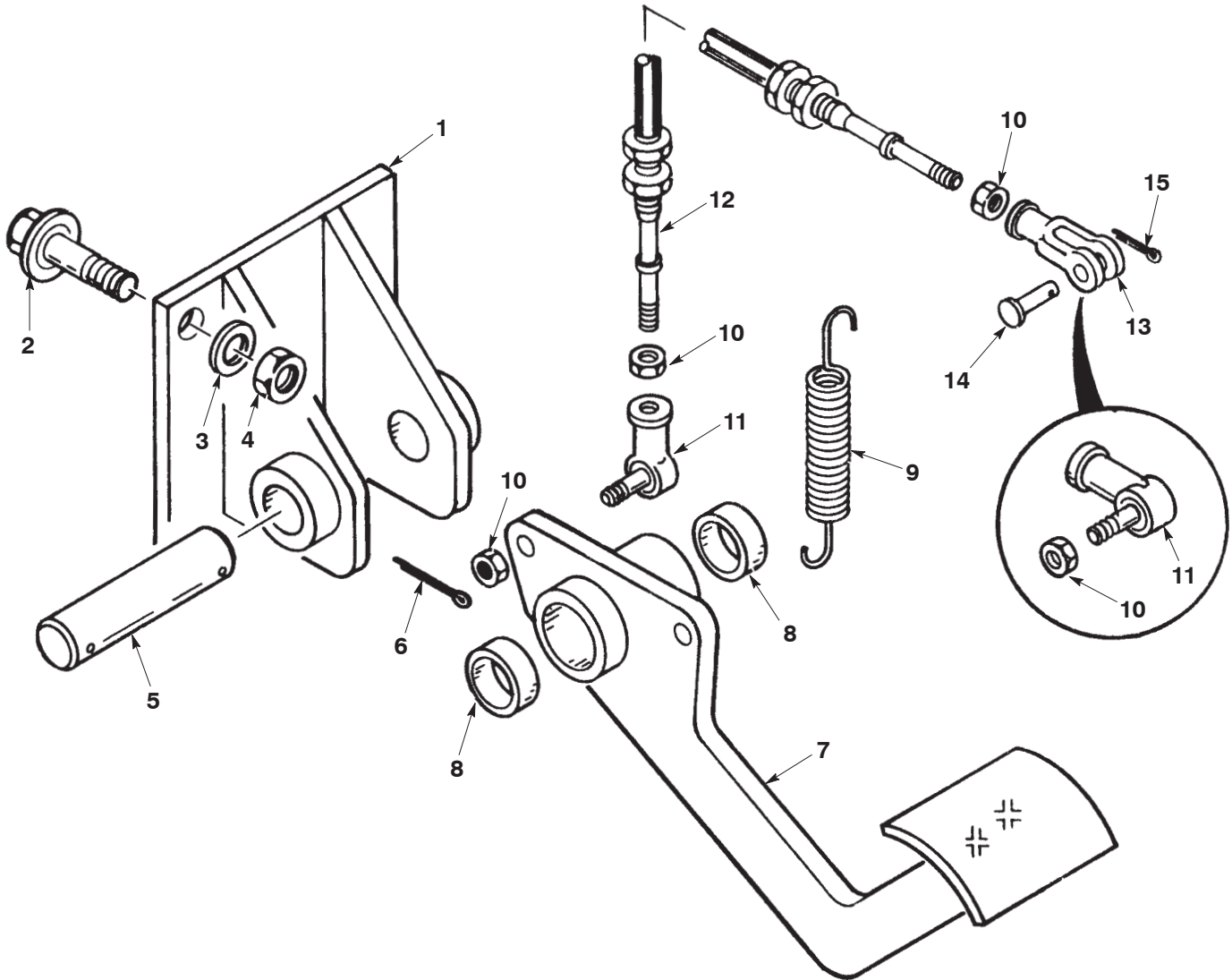
MODEL OR SERIES	COMPONENT OR ASSEMBLY NUMBER		
See P. S. O.	TC-28	13HR28330-1	2547-518

ITEM	PART NUMBER	DESCRIPTION	QTY.
8	3809-553	PLATE, Valve Adapter	1
9	4518-795	GASKET, Modulated Valve to Plate	1
10	4519-262	MODULATED VALVE ASSEMBLY	1
11	4519-933	PLUG	2
12	N.S.S.	VALVE, Accumulator	2
13	4519-258	PIN, Accumulator Valve	2
14	4519-256	SPRING, Accumulator, Inner	2
15	4519-255	SPRING, Accumulator, Outer	2
16	4520-029	O-RING, Stop Plug	2
17	4519-257	PLUG, Stop	2
18	N.S.S.	SPOOL, Regulator	2
19	4520-453	SPRING, Regulator	2
20	4519-914	PLUG, Regulator Spool Stop	2
21	4520-029*	O-RING	2
22	4520-452*	GASKET, Valve to Modulator Valve	1
23	4520-464	CONTROL VALVE HOUSING ASSEMBLY	1
24	4519-099	SPOOL, Forward and Reverse Valve	1
25	4519-027	WASHER, Oil Seal	2
26	4519-157	RING, Retainer	2
27	4520-342*	SEAL, Oil	2
28	5593-007	SWITCH, Neutral	1
29	4520-016	BALL, Detent	1
30	4520-029*	O-RING, Plug	1
31	4520-013	PLUG, Valve Housing	1
32	4520-538	SPOOL, Speed Selector	1
33	4519-938	PLUG, Pipe	1
34	4519-129**	SPACER, Overshift	1
35	4520-424**	SPACER, Overshift	1
36	4520-423**	SPACER, Release Valve	1
37	4520-416**	SPRING, Return	1
38	4520-407**	NUT, Stop	1
39	4520-415**	WASHER, Release Spring	1
40	4519-273**	SPACER, Spring	1
41	4519-271**	SPRING, Release Valve	1
42	4520-432**	VALVE, Release	1
43	4519-272**	PISTON, Inching Valve	1
44	4520-472**	INCHING VALVE ASSEMBLY	1
45	4519-968*	O-RING, Valve	1
46	4520-469	SPOOL, Valve	1
47	4520-597*	O-RING, Valve	1
48	4520-470	PLUG, Stop	1
49	4520-471*	SEAL, Oil	1
50	4520-016	BALL, Detent	1
51	4520-401	SPRING, Detent	1
52	4520-466	WASHER, Plug	1
53	4520-465	PLUG, Detent Spring	1
54	4519-288	WASHER, Lock, Control Valve to Modulated Valve	9
55	3809-541	BOLT, Control Valve to Modulated Valve	9
		*Included in 443-312 Seal Kit	
		**Included in 4519-929 Valve Body Assembly	

Power Transfer
09-620-1
 Inching Control and Linkage

Taylor

MODEL OR SERIES	COMPONENT OR ASSEMBLY NUMBER
TY & TYB-160 thru 300 w/TC-28 TRANSMISSION	

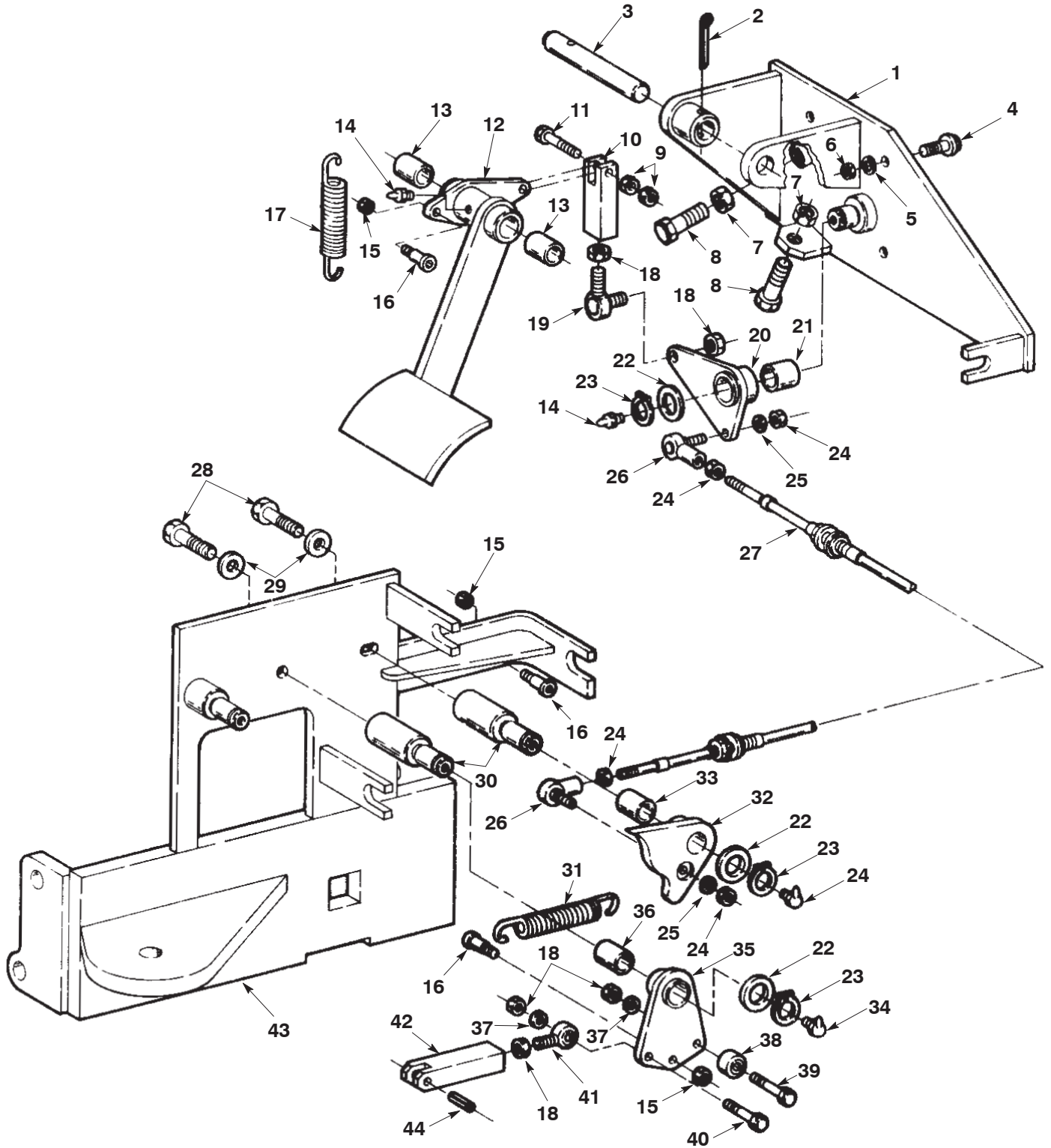


ITEM	PART NUMBER	DESCRIPTION	QTY.
1	I-1-25-0580	MOUNT, Inching Pedal	1
2	1120-100	BOLT, 3/8" - 16 x 1" Lg. w/Washer	4
3	1384	LOCKWASHER, 3/8"	4
4	1315	NUT, 3/8" - 16	4
5	I-0-90-0015	SHAFT, Inching Pedal	1
6	1463	COTTER KEY, 3/16" x 3-1/2" Lg.	2
7	I-1-25-0581	INCHING PEDAL ASSEMBLY	1
8	1989-150	BUSHING, Inching Pedal	2
9	2450	SPRING	1
10	1279	NUT, 1/4" - 24	4
11	3321-979	ROD END, 1/4"	2
12	2704-007	CONTROL CABLE, 1/4" x 114" Lg.	1
13	2174-485	CLEVIS, 1/4"	1
14	2174	PIN, Clevis, 1/4" x 3/4"	1
15	1452	COTTER KEY, 1/16" x 1"	1

Power Transfer
09-620-2
Cam Inching Control and Linkage

Taylor

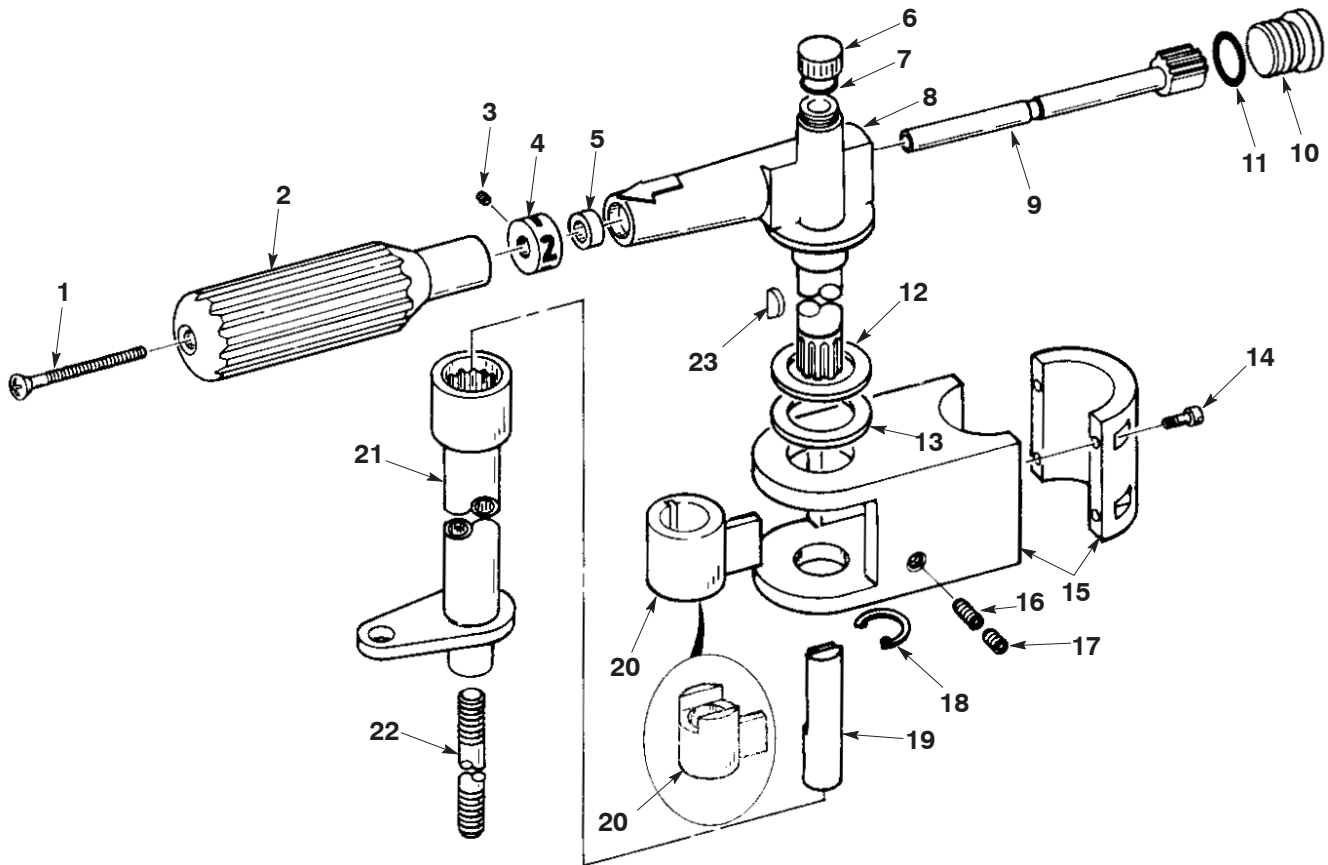
MODEL OR SERIES	COMPONENT OR ASSEMBLY NUMBER
TY & TYB-160 thru 300 w/TC-28 TRANSMISSION	



Power Transfer
09-622
 Roll Shift Assembly

Taylor

MODEL OR SERIES	COMPONENT OR ASSEMBLY NUMBER
TY & TYB-160 thru 300 w/TC-28 TRANSMISSION	



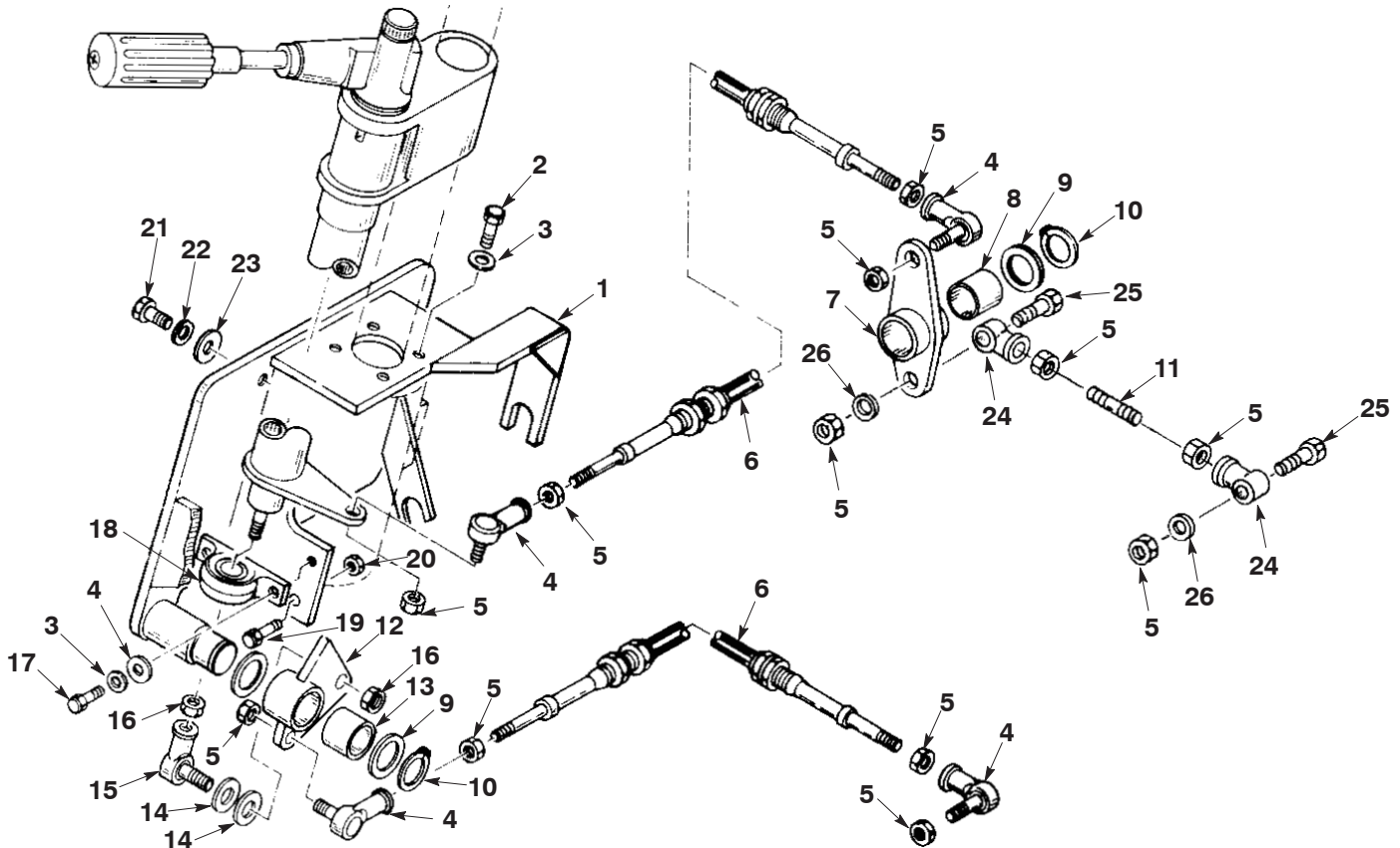
ITEM	PART NUMBER	DESCRIPTION	QTY.
1	2705-109	SCREW, Handle	1
2	2705-107	HANDLE	1
3	6887	SETSCREW, 1/4" x 3/8"	1
4	2705-116	INDICATOR	1
5	2705-105	SEAL, Housing	1
6	2705-111	CAP	1
7	2705-102	SEAL	1
8	2705-122*	HOUSING ASSEMBLY	1
9	I-0-25-1616	SHAFT ASSEMBLY	1
10	2705-108	PLUG ASSEMBLY	1
11	2705-117	SEAL	1
12	1983-010	THRUSTWASHER, Thick	1
13	2705-098	THRUSTWASHER, Thin	1
14	1265	CAPSCREW, 5/16" x 1"	4
15	I-0-25-1617	HOUSING, Roll Shift	1
16	1233-001	SETSCREW, 3/8" x 3/8" Cup Point	1
17	1237-010	SETSCREW, 3/8" x 3/4"	1
18	2705-101	SNAP RING	1
19	2705-120	RACK	1
20	I-1-25-0985	STOP, Shift (With Keyway)	1
20A	I-1-42-4147	STOP, Shift (Without Keyway)	1
21	I-1-25-0578	COLUMN, Shift	1
22	I-0-25-1620	ROD, Shift	1
23	2705-121	KEY	1

* NOTE: Replace Obsoleted 2705-114 Housing with Kit Number I-1-98-0126 Which Includes Items 8, 20, & 23.

Power Transfer
09-623
Transmission Controls

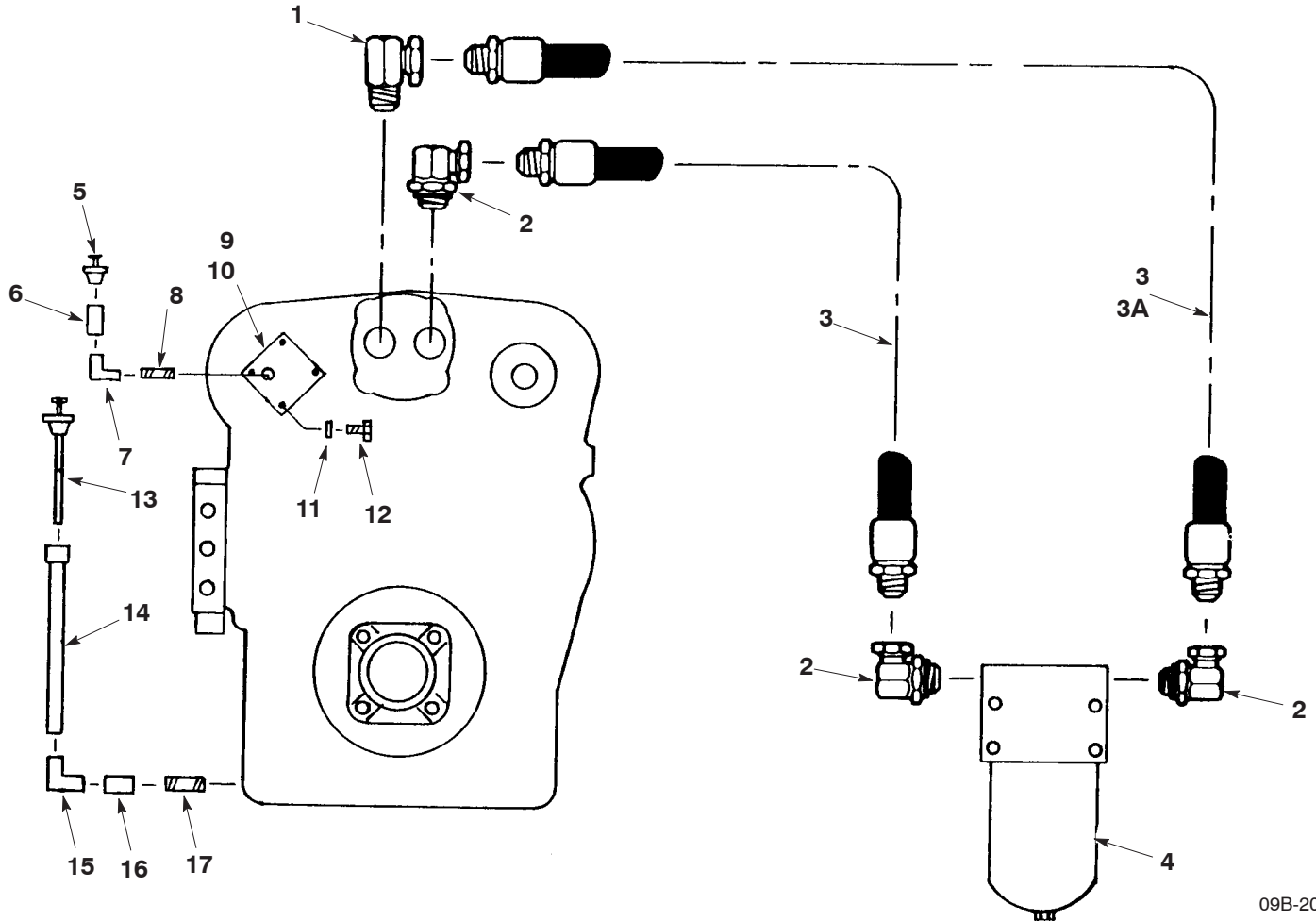
Taylor

MODEL OR SERIES	COMPONENT OR ASSEMBLY NUMBER
TY & TYB-160 thru 300 w/TC-28 TRANSMISSION	



ITEM	PART NUMBER	DESCRIPTION	QTY.
1	I-1-25-0582	MOUNT, Orbitrol	1
2	1126	BOLT, 3/8" - 16 NC x 1-1/2" Lg.	1
3	1384	WASHER, Lock, 3/8"	6
4	3321-990	ROD END, 5/16"	4
5	1282	NUT, 5/16" - 24	12
6	2704-090	CONTROL CABLE, 5/16" x 96"	2
7	I-1-25-0583	BELL CRANK ASSEMBLY	1
8	1989-150	BUSHING	1
9	1983-026	WASHER, Thrust	2
10	3141-029	SNAP RING	2
11	I-0-25-1638	CONNECTING ROD	1
12	I-1-25-0579	BELL CRANK ASSEMBLY	1
13	1989-150	BUSHING	1
14	1420	WASHER, Flat	2
15	3321-980	ROD END	1
16	1285	NUT, 3/8" - 24	2
17	1120	BOLT, 3/8" - 16 NC x 3/4" Lg.	2
18	1981-100	PILLOW BLOCK	1
19	1121	BOLT, 3/8" - 16 NC x 1" Lg. Stop	1
20	1315	NUT, 3/8" - 16	1
21	1039	BOLT, 7/16" - 20 NF x 1" Lg.	4
22	1390	WASHER, Lock, 7/16"	4
23	1424	WASHER, Flat, 7/16"	4
24	3321-991	ROD END, Female, 5/16"	2
25	1009	BOLT, 5/16" - 24 NF x 1-1/4" Lg.	2
26	1381	WASHER, Lock, 5/16"	2

MODEL OR SERIES	COMPONENT OR ASSEMBLY NUMBER
TY & TYB-160 thru 300 w/TC-28 TRANSMISSION	



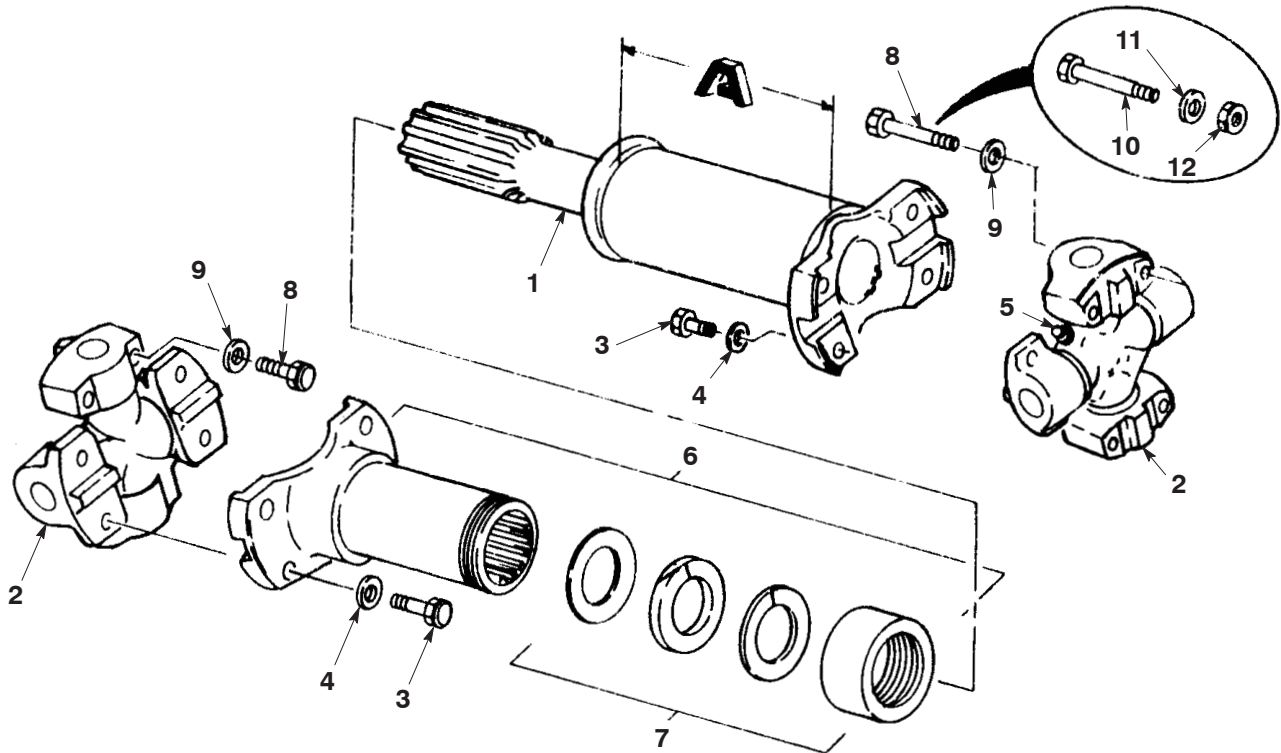
09B-2015
09B-2017

ITEM	PART NUMBER	DESCRIPTION	QTY.
1	I-0-42-4339	ADAPTER, Oil Pressure	1
2	2951-100*	ADAPTER, O-Ring, 1-1/16" x 3/4", 90°	3
3	I-1-32-0335	HOSE ASSEMBLY, 3/4" x 26" Lg.	2
3A	I-1-32-0372	HOSE ASSEMBLY, 3/4" x 18" Lg.	1
4	2547-974	FILTER ASSEMBLY	1
5	2718-175	PLUG, Filler	1
6	I-0-34-0313	COUPLING, Oil Check	1
7	1596	ELBOW, Street, 1"	1
8	I-0-23-2539	PIPE, Filler	1
9	4520-492	GASKET, Cover	1
10	I-0-23-2646	COVER, Filler	1
11	1396	LOCKWASHER, 1/2"	4
12	6803	BOLT, 1/2" - 13 NC x 1"	4
13	2719-174	DIPSTICK	1
14	2719-125	TUBE, Dipstick	1
15	1679-500	ELBOW	1
16	1492	COUPLING	1
17	1520-010	NIPPLE, 1/4"	1
*	5241-735	O-RING	

Power Transfer
11-041
 Drive Line Assembly

Taylor

MODEL OR SERIES	COMPONENT OR ASSEMBLY NUMBER
See P. S. O.	

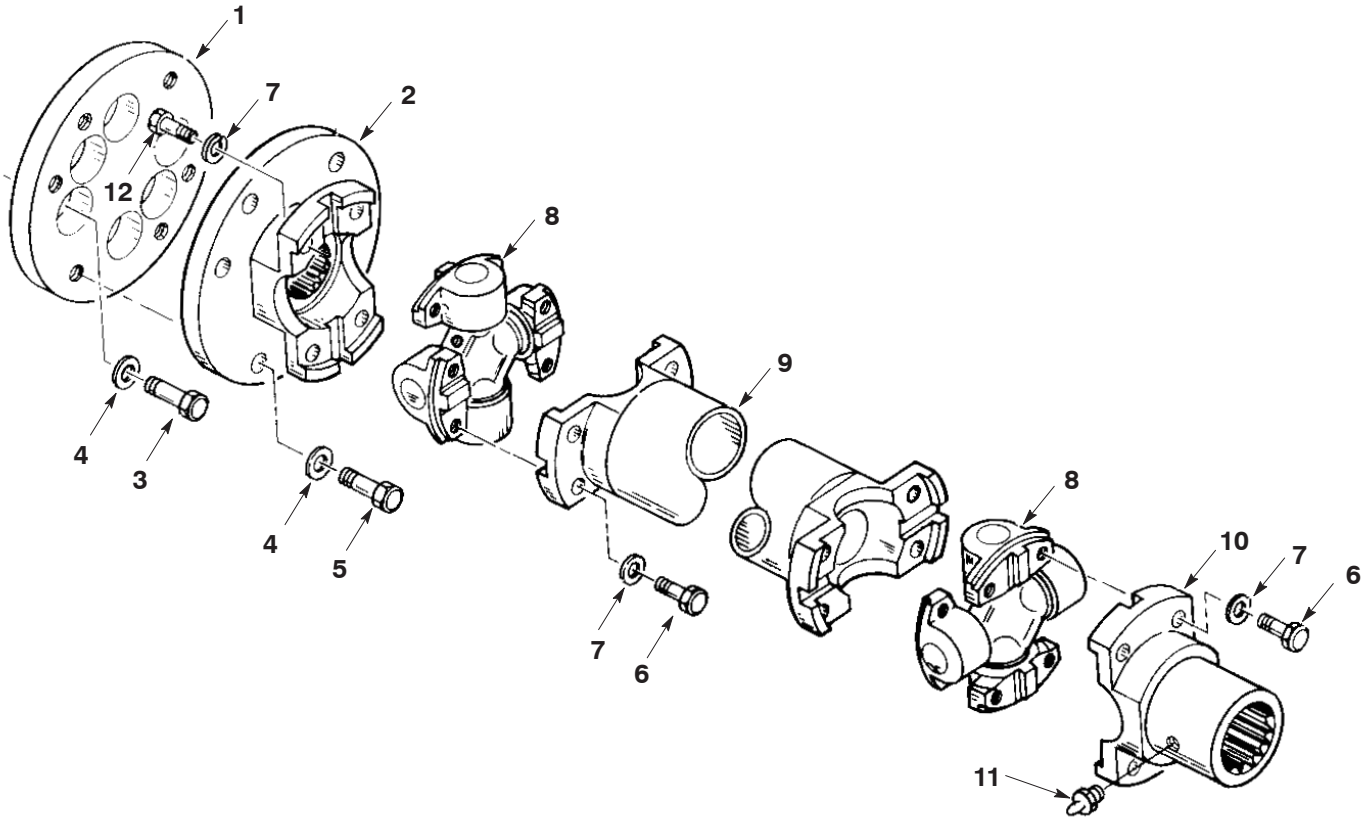


ITEM	PART NUMBER	DESCRIPTION	QTY.
	I-1-24-0037	DRIVE LINE ASSEMBLY, Complete	
1	I-1-24-0125	CENTER WELD ASSEMBLY (A-35")	1
	I-1-24-0038	DRIVE LINE ASSEMBLY, Complete	
1A	I-1-24-0122	CENTER WELD ASSEMBLY (A-51-1/2")	1
	I-1-24-0056	DRIVE LINE ASSEMBLY, Complete	
1B	I-1-24-0116	CENTER WELD ASSEMBLY (A14-1/2")	1
	I-1-24-0060	DRIVE LINE ASSEMBLY, Complete	
1C	I-1-24-0119	CENTER WELD ASSEMBLY (A-8-5/8")	1
	I-1-24-0061	DRIVE LINE ASSEMBLY, Complete	
1D	I-1-24-0124	CENTER WELD ASSEMBLY (A-25-1/2")	1
	I-1-24-0065	DRIVE LINE ASSEMBLY, Complete	
1E	I-1-24-0121	CENTER WELD ASSEMBLY (A-3")	1
	I-1-24-0066	DRIVE LINE ASSEMBLY, Complete	
1F	I-1-24-0123	CENTER WELD ASSEMBLY (A-20")	1
	I-1-24-0070	DRIVE LINE ASSEMBLY, Complete	
1G	I-1-24-0120	CENTER WELD ASSEMBLY (A-11-3/8")	1
	I-1-24-0074	DRIVE LINE ASSEMBLY, Complete	
1H	I-1-24-0117	CENTER WELD ASSEMBLY (A-12-1/2")	1
	I-1-24-0086	DRIVE LINE ASSEMBLY, Complete	
1I	I-1-24-0126	CENTER WELD ASSEMBLY (A-30")	1
	I-1-24-0092	DRIVE LINE ASSEMBLY, Complete	
1J	I-1-24-0128	CENTER WELD ASSEMBLY (A-22-7/8")	1
	I-1-24-0105	DRIVE LINE ASSEMBLY, Complete	
1K	I-1-24-0127	CENTER WELD ASSEMBLY (A-10-1/2")	1
	I-1-24-0109	DRIVE LINE ASSEMBLY, Complete	
1L	I-1-24-0118	CENTER WELD ASSEMBLY (A-4-1/2")	1
	I-1-24-0169	DRIVE LINE ASSEMBLY, Complete	
1M	I-1-24-0171	CENTER WELD ASSEMBLY (A-2-1/8")	1

Power Transfer
11-204
 Pump Drive Shaft

Taylor

MODEL OR SERIES	COMPONENT OR ASSEMBLY NUMBER
TY-160 thru 300	

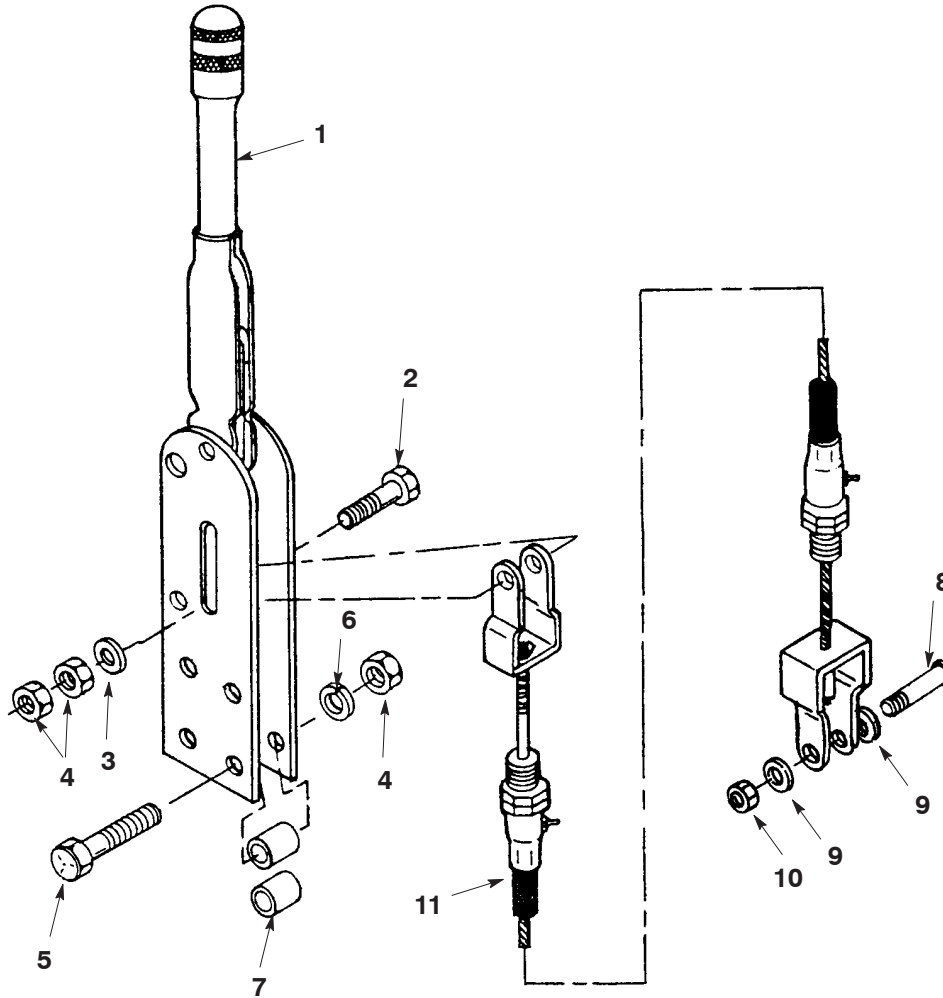


ITEM	PART NUMBER	DESCRIPTION	QTY.
1	I-0-24-0173	ADAPTER, Crank Shaft Pulley, 4-53 GM Only	1
2	I-1-24-0188	ADAPTER, Drive Shaft, 300 Ford	1
2A	I-1-24-0189	ADAPTER, Drive Shaft, 361 & 370 Ford	1
2B	I-1-24-0190	ADAPTER, Drive Shaft, 378 & 504 Cummins & 4-53 GM	1
2C	I-1-24-0187	ADAPTER, Drive Shaft, 4-71 GM	1
3	1123	BOLT, 3/8" - 16 x 1-1/4" Lg., 4-53 GM Only	6
4	1384	LOCKWASHER, 3/8"	12
5	1130	BOLT, 3/8" - 16 x 1-3/4" Lg.	6
6	1008	BOLT, 5/16" - 24 NF x 1"	12
7	1381	LOCKWASHER, 5/16"	16
8	1927-140	CROSS AND BEARING ASSEMBLY	2
9	I-1-24-0173	DRIVE LINE ASSEMBLY, 300 Ford	1
9A	I-1-24-0174	DRIVE LINE ASSEMBLY, 361 Ford & 504 Cummins	1
9B	I-1-24-0175	DRIVE LINE ASSEMBLY, 378 Cummins	1
9C	I-1-24-0177	DRIVE LINE ASSEMBLY, 4-53 GM & 370 Ford	1
9D	I-1-24-0178	DRIVE LINE ASSEMBLY, 4-71 GM	1
10	1930-035	SPLINED YOKE, 3C	1
11	1686	FITTING, Grease, 1/8" St.	1
12	1007-200	BOLT, 5/16" - 24 NF x 3/4"	4

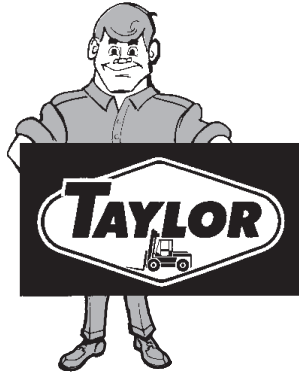
Power Transfer
12-001
 Parking Brake Lever

Taylor

MODEL OR SERIES	COMPONENT OR ASSEMBLY NUMBER
See P. S. O.	2226



ITEM	PART NUMBER	DESCRIPTION	QTY.
1	2226	LEVER, Parking Brake	1
2	1114-010	BOLT, 5/16" - 18 NC x 1-3/4"	1
3	1417	FLATWASHER, 5/16"	1
4	1312	NUT, 5/16" NC	6
5	1116	BOLT, 5/16" - 18 NC x 2-1/2"	4
6	1381	LOCKWASHER, 5/16"	4
7	N.S.S.	SPACER	2
8	1265-300	BOLT, Shoulder, 3/8" x 3/4"	1
9	1420-100	FLATWASHER, Hardened	2
10	1325	LOCKNUT	1
11	2226-025	CABLE, 46"	1
11A	2226-026	CABLE, 84"	1
11B	2226-027	CABLE, 60"	1
11C	2226-030	CABLE, 68"	1
11D	2226-050	CABLE, 35"	1
11E	2226-059	CABLE, 136"	1
11F	2226-060	CABLE, 144"	1
11G	2226-070	CABLE, 177"	1



<u>Functional Group</u>	<u>Section</u>
Steer Axle	13
Drive Axle	14

Axles

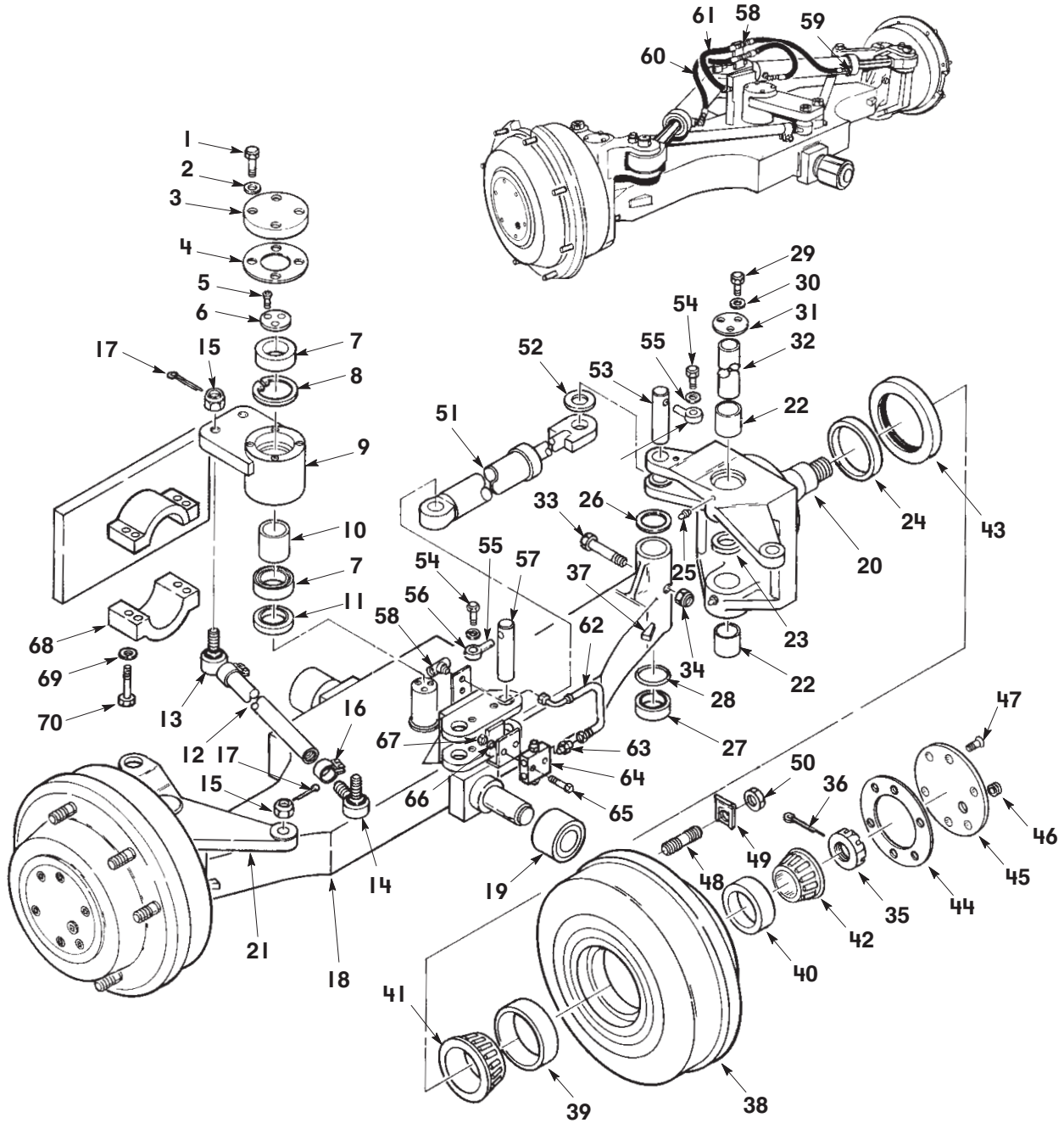


Axles
13-023



Model 200 Steer Axle

MODEL OR SERIES	COMPONENT OR ASSEMBLY NUMBER			
See P. S. O.	I-1-26-0553	I-1-26-1425	I-1-26-3095	I-1-26-3824
	I-1-26-0939	I-1-26-2893	I-1-26-3169	



ITEM	PART NUMBER	DESCRIPTION	QTY
	I-1-26-0553	STEER AXLE ASSEMBLY, Complete	1
	I-1-26-0939	STEER AXLE ASSEMBLY, Complete (Budd)	1
	I-1-26-1425	STEER AXLE ASSEMBLY, Complete	1
	I-1-26-2893	STEER AXLE ASSEMBLY, Complete	1
	I-1-26-3095	STEER AXLE ASSEMBLY, Complete	1
	I-1-26-3169	STEER AXLE ASSEMBLY, Complete	1

Axles
13-023A



Model 200 Steer Axle

MODEL OR SERIES	COMPONENT OR ASSEMBLY NUMBER
See P. S. O.	I-1-26-0553 I-1-26-1425 I-1-26-3095 I-1-26-3824 I-1-26-0939 I-1-26-2893 I-1-26-3169

ITEM	PART NUMBER	DESCRIPTION	QTY
	I-1-26-3824	STEER AXLE ASSEMBLY, Complete	1
	I-1-26-0969	STEER AXLE ASSEMBLY, Service	1
1	I 126	BOLT, 3/8" - 16 NC x 1-1/2"	4
2	I384	LOCKWASHER, 3/8"	4
3	I-0-26-0239	CAP, Spider	1
4	2065-057	GASKET, Spider Cap	1
5	I266	BOLT, 3/8" - 16 NC x 3/4"	3
6	I-0-26-0763	CAP, Bearing Retainer	1
7	3624-200	BEARING, Spider	2
8	2065-085	RING, Snap	1
9	I-1-26-0559	SPIDER ASSEMBLY	1
10	I-0-26-0761	SPACER, Bearing	1
11	I927-510	SEAL, Bearing	1
12	2065-069	TIE ROD ASSEMBLY	2
13	3549	END, Tie Rod, R.H.	1
14	3552	END, Tie Rod, L.H.	1
15	2517	NUT, Tie Rod End	2
16	3512	CLAMP ASSEMBLY, Tie Rod End	2
17	I460	PIN, Cotter	4
18	I-1-26-0945	CENTER SECTION ASSEMBLY	1
19	2065-101	BUSHING, Pivot Pin	2
19A	I-1-26-2155	PIVOT BUSHING ASSEMBLY (For I-1-26-3169)	2
20	I-1-26-0556	SPINDLE ASSEMBLY, R.H.	1
21	I-1-26-0557	SPINDLE ASSEMBLY, L.H.	1
22	2065-046*	BUSHING, Spindle	2
23	I927-601	SEAL, Spindle	1
24	I927-293	RING, Spindle Wear	1
25	I686	FITTING, Grease, 1/8"	12
26	I749-244*	SHIM, Kingpin, .010	AR
26A	I749-245*	SHIM, Kingpin, .025	AR
27	I937-950*	BEARING, Thrust	2
28	I2789-763*	SEAL, Thrust	2
29	I1110-900	BOLT, 1/4" - 10 NC x 1/2"	12
30	I378	LOCKWASHER, 1/4"	12
31	2065-093*	COVER, Kingpin	4
32	I-0-26-0767*	KINGPIN	2
33	I092-050*	BOLT, 3/4" - 16 NF x 3-1/2", Gr. 8	2
34	I298*	NUT, 3/4" NF	2
35	I361-100	NUT, Spindle, 2-1/4" NF	2
36	I466	PIN, Cotter, 1/4" x 3-1/2"	2
37	I-0-26-0764	STOP, Spindle	4
38	I-1-26-0973	HUB ASSEMBLY	2

Axles
13-023B



Model 200 Steer Axle

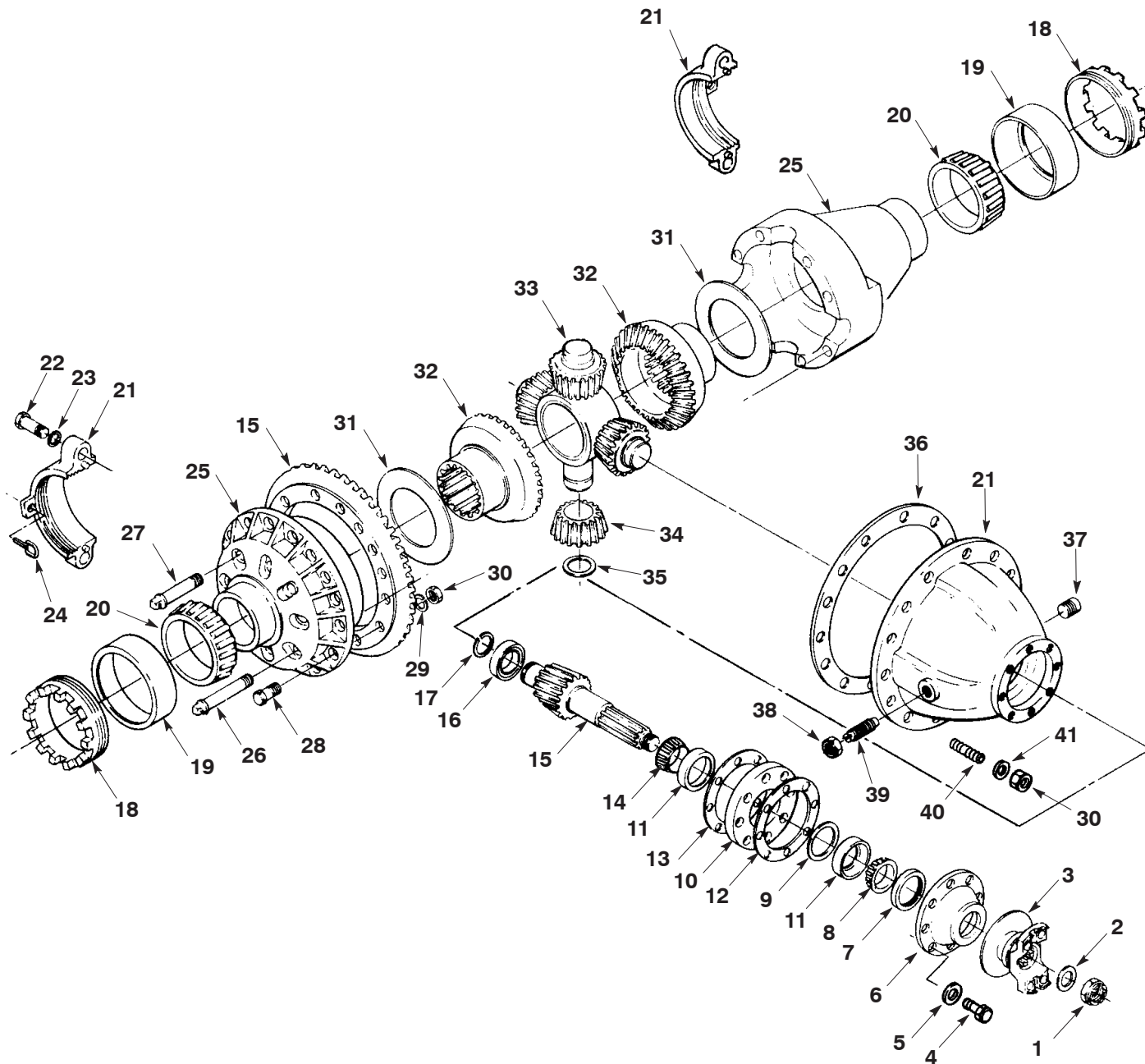
MODEL OR SERIES	COMPONENT OR ASSEMBLY NUMBER
See P. S. O.	I-1-26-0553 I-1-26-1425 I-1-26-3095 I-1-26-3824 I-1-26-0939 I-1-26-2893 I-1-26-3169

ITEM	PART NUMBER	DESCRIPTION	QTY
38A	I-1-26-0944	HUB ASSEMBLY (Budd)	2
38B	I-0-26-3124	HUB ASSEMBLY (11 Studs)	2
38C	I-0-26-0743	HUB ASSEMBLY	2
39	3678	CUP, Inner	1
40	1947	CUP, Outer	1
41	3681	CONE, Inner	2
42	1949	CONE, Outer	2
43	2065-078	SEAL, Wheel	2
44	2065-050	GASKET, Hub Cap	2
45	I-0-26-1098	HUB CAP	2
46	1480	PLUG, Hub Cap	2
47	1120	BOLT, 3/8" - 16 NC x 3/4"	12
48	3803	STUD, Hub	AR
48A	3810-436	STUD, Hub (Budd)	20
49	2663-020	CLAMP, Wheel	AR
50	3801	NUT, Wheel	AR
50A	3662-001	NUT, Wheel (Budd)	20
51	See P.S.O.	STEER CYLINDER ASSEMBLY	2
52	1749-276	SHIM, Steer Cylinder, .135	AR
52A	1749-277	SHIM, Steer Cylinder, .060	AR
53	I-0-91-1048*	PIN, Cylinder Anchor, 1-1/2" x 4-3/8" Lg.	2
54	6803-110	BOLT, 1/2" - 13 NC x 1-1/4"	4
55	1396	LOCKWASHER, 1/2"	4
56	I-0-99-0040*	KEEPER, Cylinder Anchor Pin	4
57	I-0-91-1051	PIN, Cylinder Anchor, 1-1/2" x 5-1/8" Lg.	2
58	1665-175	FITTING, Bulkhead	1
59	2947-996	ADAPTER	4
60	I-1-32-0839	HOSE ASSEMBLY	2
61	I-1-32-0840	HOSE ASSEMBLY	2
62	I-1-32-1478	HOSE ASSEMBLY, 3/8" x 17" Lg.	2
63	2949-030	FITTING, 1/2" x 9/16"	2
64	I-0-25-2199	VALVE, Cushion	1
65	1115	BOLT, 5/16" - 18 NC x 2-1/4"	2
66	1381	WASHER, Lock, 5/16"	2
67	1312	NUT, 5/16" NC	2
68	N.S.S.	CAP, Center	2
69	1399	WASHER, Lock, 5/8"	8
70	1181-005	BOLT, 5/8" - 11 NC x 3-1/2"	8
NI	1733	LOCTITE, Stud	
NI	5593-500	SILASTIC GASKET, Kingpin Cover	
*	I-1-98-0171	KINGPIN REPAIR KIT - For One Spindle	
*	I-1-98-0172	KINGPIN REPAIR KIT - For Both Spindles	

Axles
14-049-2
 Differential Carrier Assembly

Taylor

MODEL OR SERIES	COMPONENT OR ASSEMBLY NUMBER	
See P. S. O.	PRLC-1756 RSA-201, 202, 206, & 208	2068-153 2068-156 2068-154 2068-160

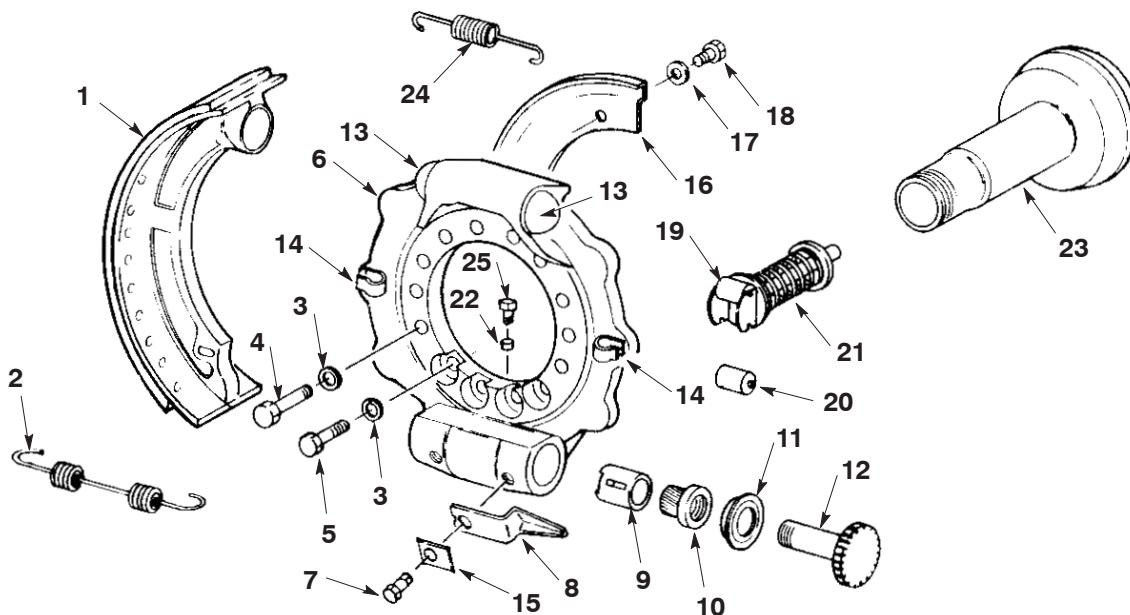


ITEM	PART NUMBER	DESCRIPTION	QTY.
	3810-874	DIFFERENTIAL ASSEMBLY, Complete w/4.63 Ratio	1
	3813-678	DIFFERENTIAL ASSEMBLY, Complete w/5.86 Ratio	1
	3810-351	DIFFERENTIAL ASSEMBLY, Complete w/6.83 Ratio	1
1	3501-100	NUT, Drive Pinion	1
2	3811-034	WASHER, Drive Pinion	1
3	3811-640	COMPANION YOKE AND SLINGER ASSEMBLY	1
4	3810-569	BOLT, 7/16" - 14 x 1-3/4"	8
5	3812-185	LOCKWASHER, 7/16"	8

Axles
14-049-5
 Brake

Taylor

MODEL OR SERIES	COMPONENT OR ASSEMBLY NUMBER	
See P. S. O.	PRLC-1756 RSA-201, 202, 206, & 208	2068-153 2068-156 2068-154 2068-160

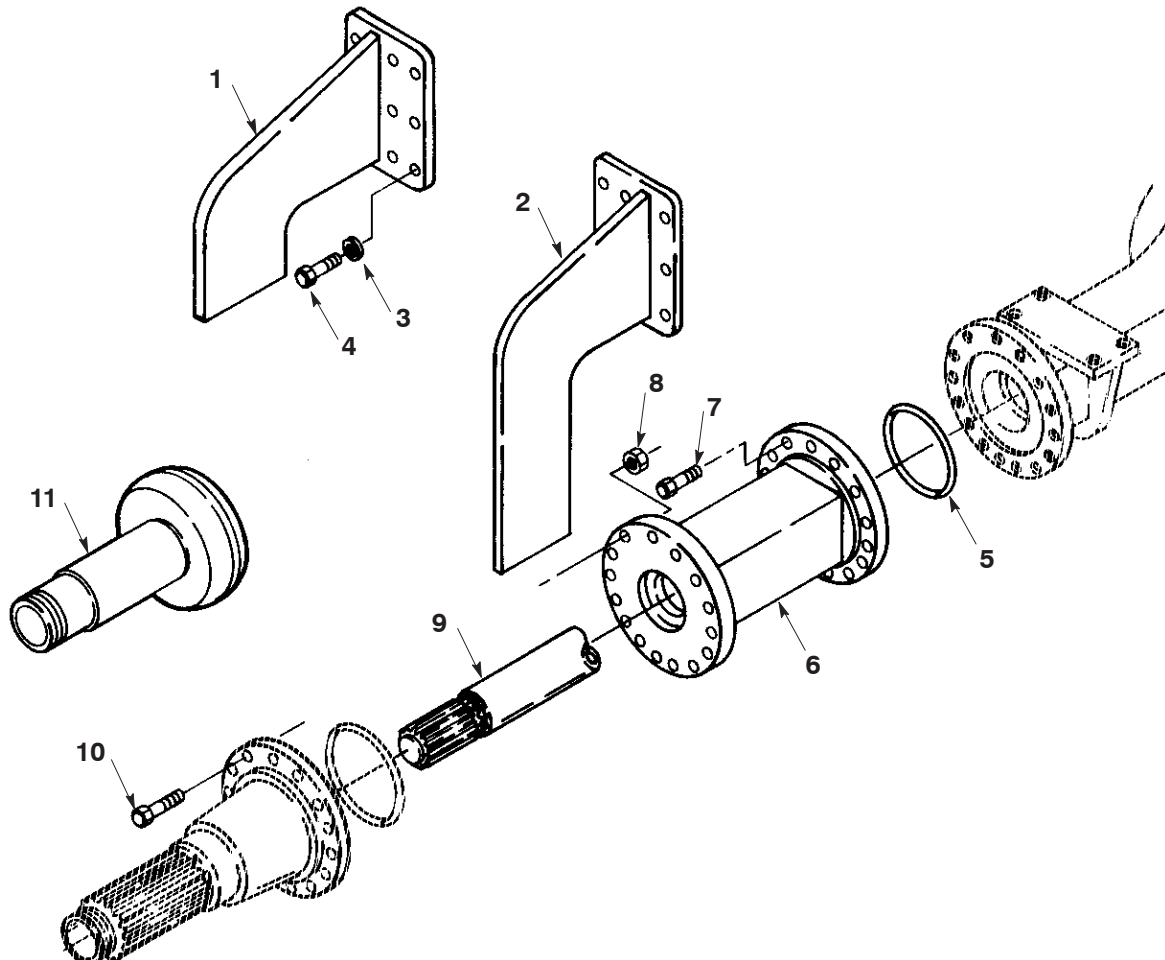


ITEM	PART NUMBER	DESCRIPTION	QTY.
1	3811-663*	BRAKE SHOE AND LINING ASSEMBLY	2
2	3810-335	SPRING, Brake Shoe Return	1
3	3811-033	LOCKWASHER, Spider to Housing	14
4	3812-759	CAPSCREW, Spider to Housing	10
5	3813-710	CAPSCREW, Spider to Housing	4
6	3812-433	SPIDER ASSEMBLY	1
7	3810-247	GUIDE PAWL ASSEMBLY	2
8	3811-073	DETENT, Adjusting	2
9	3811-489	ADJUSTING PLUNGER	2
10	3811-087	ADJUSTING SLEEVE	2
11	3812-201	SEAL ASSEMBLY	2
12	3811-086	ADJUSTING BOLT	2
13	3812-438	BUTTON, Anchor	2
14	3811-074	CLIP, Hold Down	2
15	3810-992	LOCK	2
16	3813-461	DUST SHIELD (Items 16 & 16A should be ordered in pairs)	1
16A	3813-462	DUST SHIELD (Items 16 & 16A should be ordered in pairs)	1
17	1384	LOCKWASHER, Dust Shield, 3/8"	4
18	1120	CAPSCREW, Dust Shield, 3/8" x 1/2"	4
19	3811-151	WEDGE ASSEMBLY, Air	1
20	3811-196	ROLLER	2
21	3810-317	SPRING	1
22	3811-084	PLUG, Actuator Lock (Nylon)	1
23	2240-100	ACTUATOR, Air, 36"	1
NI	3947-110	DIAPHRAGM	1
23A	3812-860	ACTUATOR, Air, 24"	1
NI	3812-861	DIAPHRAGM	1
24	3812-379	SPRING, Brake Shoe Return	2
25	3812-710	SETSCREW	1
*	R3811-663	BRAKE SHOE AND LINING ASSEMBLY, Rebuilt	

Axles
14-049-6
 Extension and Mounting

Taylor

MODEL OR SERIES	COMPONENT OR ASSEMBLY NUMBER	
See P. S. O.	PRLC-1756 RSA-201, 202, 206, & 208	2068-153 2068-156 2068-154 2068-160



ITEM	PART NUMBER	DESCRIPTION	QTY.
1	I-1-05-0087	WHEEL SPACER ANCHOR ASSEMBLY, L.H.	1
1A	I-1-05-0088	WHEEL SPACER ANCHOR ASSEMBLY, R.H.	1
1B	I-1-05-0119	WHEEL SPACER ANCHOR ASSEMBLY (TE Machines Only)	2
2	I-1-05-0095	AXLE BRACE ASSEMBLY, L.H.	1
2A	I-1-05-0094	AXLE BRACE ASSEMBLY, R.H.	1
2B	I-1-05-0120	AXLE BRACE ASSEMBLY (TE Machines Only)	2
3	1430	WASHER, Hardened Flat, 5/8"	36
3A	1432-500	WASHER, Hardened Flat, 3/4" (TE Machines Only)	24
4	1174-010	BOLT, 5/8" - 11 NC x 1-3/4", Gr.8	36
4A	1183-001	BOLT, 3/4" - 10 NC x 1-3/4", Gr.8 (TE Machines Only)	24
5	3810-725	O-RING	2
6	I-1-05-0104	WHEEL SPACER ASSEMBLY	2
7	1187-005	BOLT, 3/4" - 10 NC x 2-1/4" Gr.8	28
8	1327	NUT, 3/4" - 10 NC	28
9	2068-151	SHAFT, Axle, L.H.	1
9A	2068-152	SHAFT, Axle, R.H.	1
10	1186-003	BOLT, 3/4" - 10 NC x 3-1/4" Gr.8	6
10A	1186-006	BOLT, 3/4" - 10 NC x 3-3/4" Gr.8	20
11	2240-009	CHAMBER, Brake	2



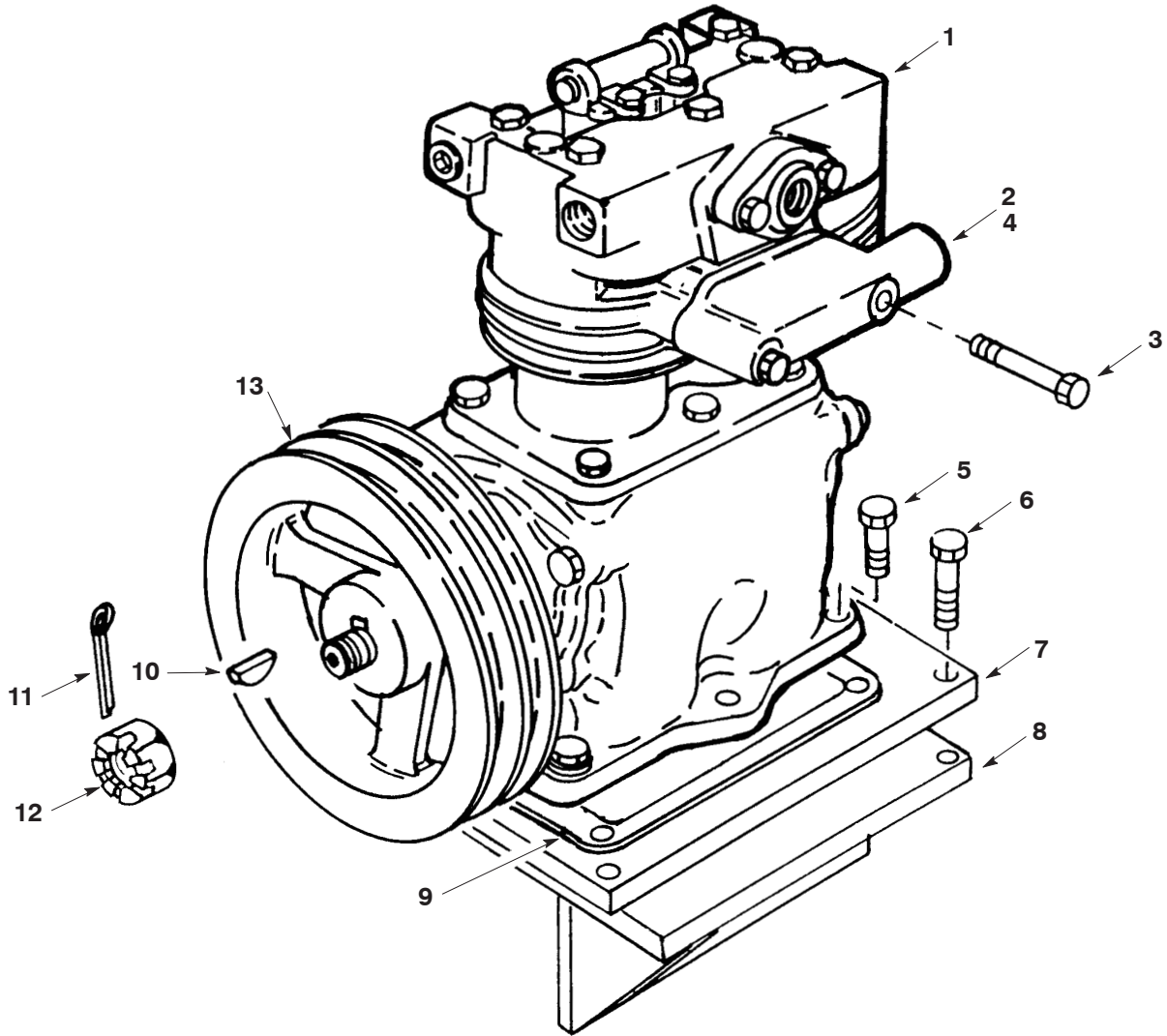
<u>Functional Group</u>	<u>Section</u>
Brake Control System	15

Brake Control System

Brake Control System
15-901
 Air Compressor Installation

Taylor

MODEL OR SERIES	COMPONENT OR ASSEMBLY NUMBER
TC, TE, TY, TYE, T-935 & T-160 w/DDC 3-53 & 4-53	



ITEM	PART NUMBER	DESCRIPTION	QTY.
1	3835-003	COMPRESSOR, Air	1
2	2243-475	ELBOW, Inlet	1
3	1144	BOLT, 7/16" - 14 NC x 2" Lg.	2
4	2243-510	GASKET, Elbow Inlet	1
5	1135	BOLT, 7/16" - 14 NC x 1" Lg.	4
6	1138	BOLT, 7/16" - 14 NC x 1-1/4" Lg.	4
7	G-5130236	ADAPTER	1
8	G-5145711	BRACKET, Mounting	1
9	G-5131939	GASKET (6-Hole)	1
9A	3946-061	GASKET (4-Hole)	1
10	3835-002	KEY, Woodruff, 1/4" x 1" Lg.	1
11	1461	PIN, Cotter, 1/8" x 2-1/2" Lg.	1
12	3835-001	NUT, Slotted, 3/4"	1
13	G-5130964	PULLEY, Air Compressor	1
13A	G-5138461	PULLEY, Air Compressor (For T-935 & T-160 Only)	1

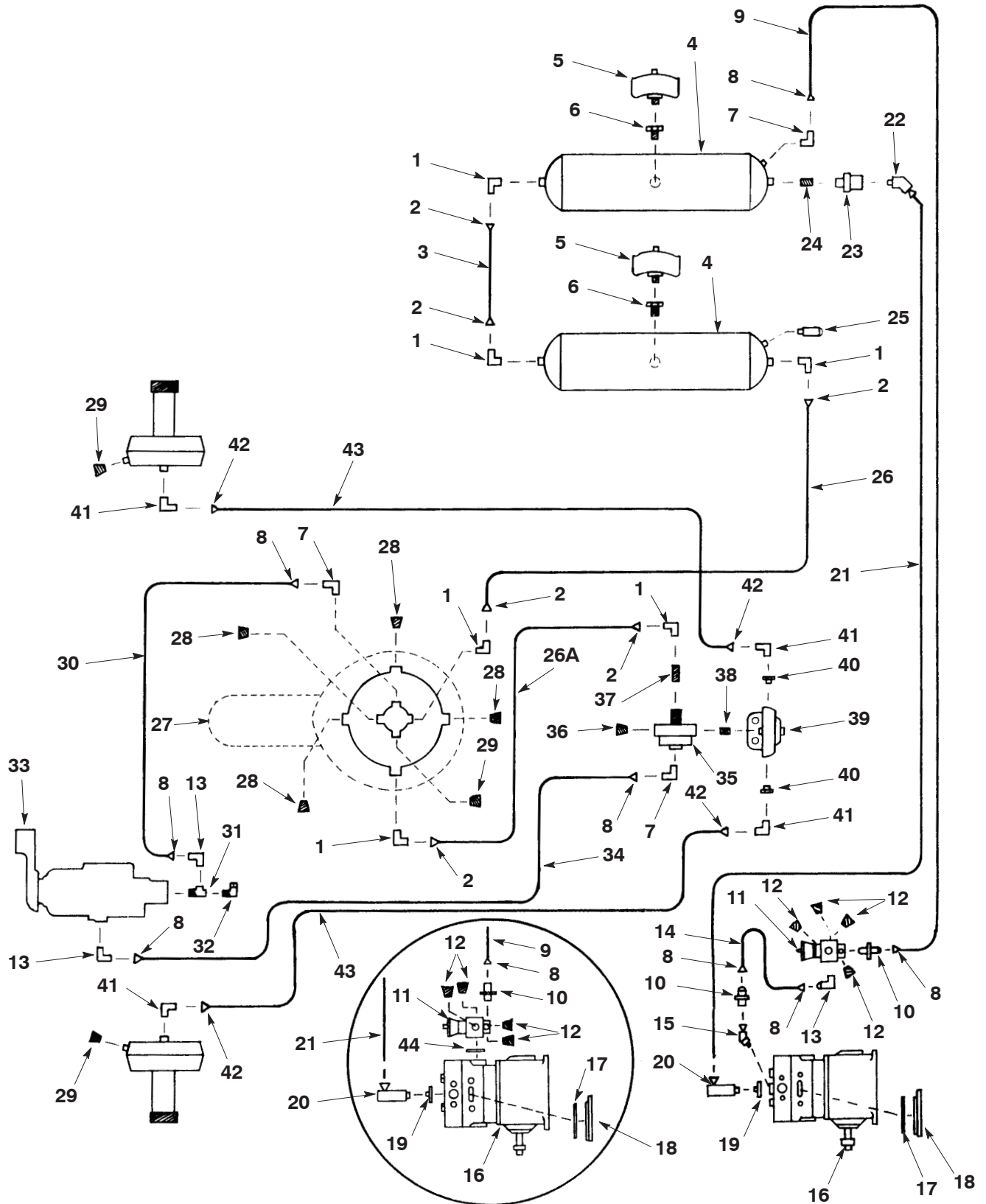
Brake Control System

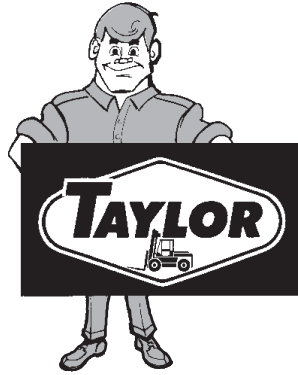
15-2014

Air Brake Circuit

Taylor

MODEL OR SERIES	COMPONENT OR ASSEMBLY NUMBER
TY & TYB-160S thru 300L w/DDC 4-53 Engine	





<u>Functional Group</u>	<u>Section</u>
Steering Control System	16

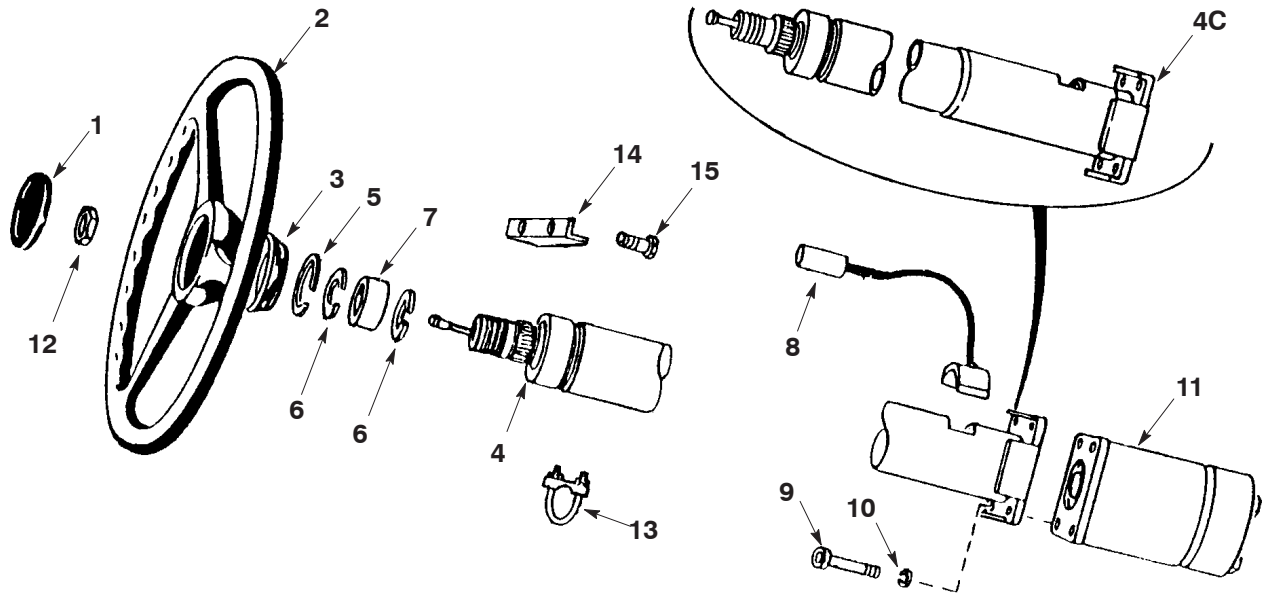
Steering Control System



Steering Control System
16-201
 Steering Wheel, Column and Valve

Taylor

MODEL OR SERIES	COMPONENT OR ASSEMBLY NUMBER
See P. S. O.	

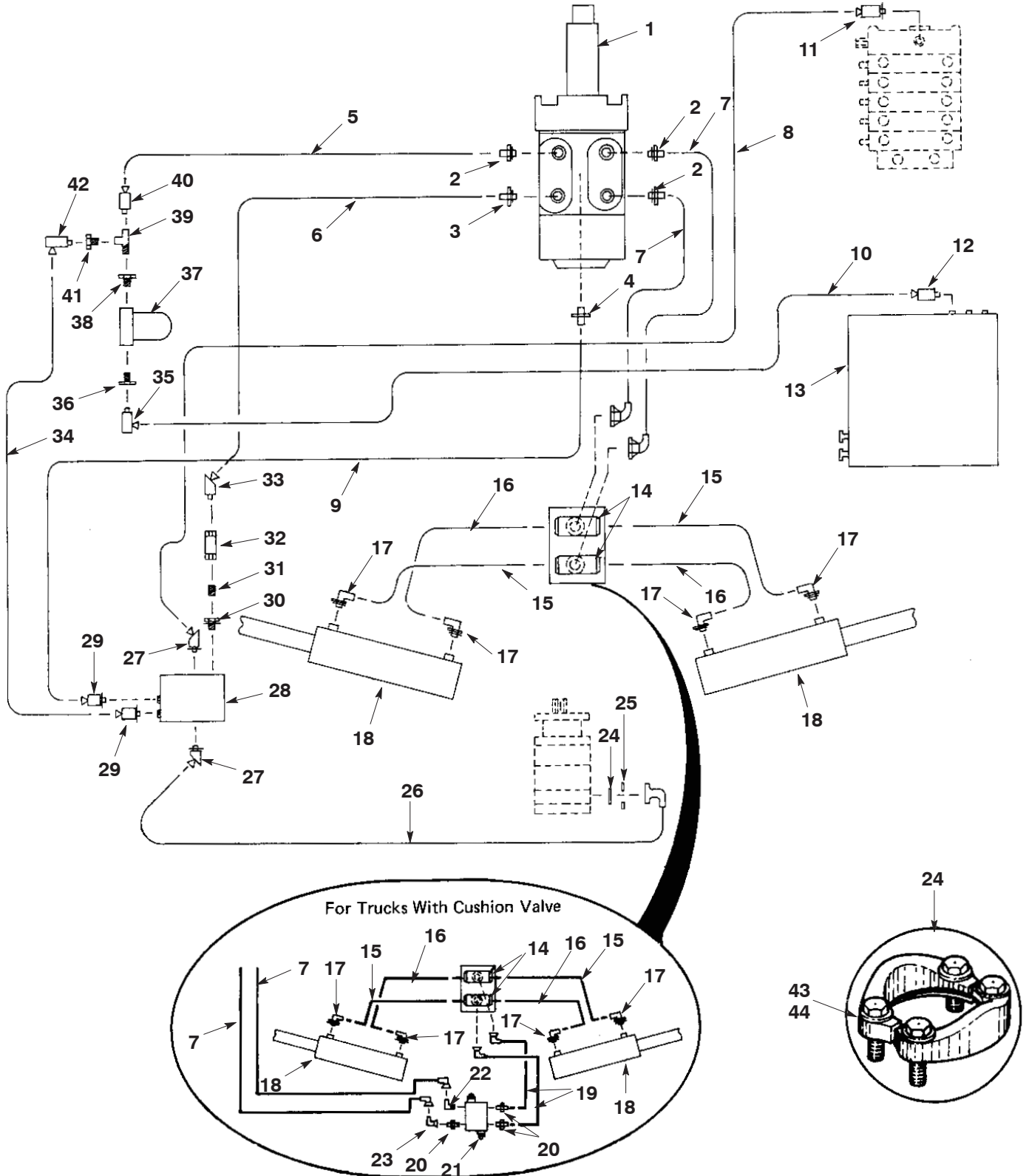


ITEM	PART NUMBER	DESCRIPTION	QTY.
1	2316	KIT, Horn Button (Used w/2485 Steering Wheel)	1
2	2485	WHEEL, Steering, 18"	1
3	5594-030	COVER, Bottom	1
1A	2485-004	KIT, Horn Button (Used w/2485-003 Steering Wheel)	1
2A	2485-003	WHEEL, Steering, 16"	1
3A	5594-383	COVER, Bottom	1
4	2536-350	STEERING COLUMN ASSEMBLY, 30"	1
4A	2536-325	STEERING COLUMN ASSEMBLY, 6"	1
4B	2536-352	STEERING COLUMN ASSEMBLY, 12"	1
4C	1-1-25-0651	STEERING COLUMN ASSEMBLY, 12" Reinforced	1
5	4068-625	RING, Retaining	1
6	4068-650	RING, Snap	2
7	4068-780	BEARING ASSEMBLY	1
8	4068-720	BRUSH ASSEMBLY, Horn	1
9	1126	BOLT, 3/8" - 16 NC x 1-1/2"	4
10	1384	LOCKWASHER, 3/8"	4
11	2536-200*	VALVE ASSEMBLY, Steer	1
11A	2536-210*	VALVE ASSEMBLY, Steer	1
11B	2536-240*	VALVE ASSEMBLY, Steer	1
11C	2536-250*	VALVE ASSEMBLY, Steer	1
11D	2537*	VALVE ASSEMBLY, Steer	1
11E	1-1-98-1106	KIT, Steer Valve Service (NOTE: This Kit Replaces the Obsoleted 2537-005 Steer Valve Assembly.)	1
NI	2537-030***	VALVE ASSEMBLY, Steer	1
NI	1270-702	BOLT, M10 - 1.5 x 35C10.9	4
NI	1271-255	BOLT, M10 - 1.5 x 55	4
NI	3262-068	WASHER, 3/8"	4
NI	2954	ADAPTER, O-Ring	1
11F	2537-010*	VALVE ASSEMBLY, Steer	1
11G	2537-015**	VALVE ASSEMBLY, Steer	1
11H	2537-016**	VALVE ASSEMBLY, Steer	1
11I	2537-014**	VALVE ASSEMBLY, Steer	1
12	2537-020	NUT, Jam	1
13	2386	CLAMP, 1-1/2"	1
13A	2387	CLAMP, 2"	1

Steering Control System
16-2012
 Steering Circuit

Taylor

MODEL OR SERIES	COMPONENT OR ASSEMBLY NUMBER
TY & TYB-160 thru 300	



Steering Control System

16-2012A

Steering Circuit

Taylor

MODEL OR SERIES		COMPONENT OR ASSEMBLY NUMBER	
TY & TYB-160 thru 300			
ITEM	PART NUMBER	DESCRIPTION	QTY.
1	2537-015	VALVE, Orbitrol	1
2	3013-014	FITTING, O-Ring boss, 9/16" x 3/4", St.	3
3	3013	FITTING, O-Ring, 3/4" x 3/4", St.	1
4	2995-015	FITTING, O-Ring Boss, 7/16" x 7/16", St.	1
5	I-1-32-0836	HOSE ASSEMBLY, 3/8" x 76-1/2" Lg.	1
6	I-1-32-1938	HOSE ASSEMBLY, 1/2" x 94" Lg.	1
7	I-1-32-0838	HOSE ASSEMBLY, 3/8" x 190-1/2" Lg. (S Model)	2
7A	I-1-32-0853	HOSE ASSEMBLY, 3/8" x 200-1/2" Lg. (M Model)	2
7B	I-1-32-0854	HOSE ASSEMBLY, 3/8" x 210-1/2" Lg. (L and B Models)	2
8	I-1-32-0851	HOSE ASSEMBLY, 1" x 123" Lg.	1
9	I-1-32-0833	HOSE ASSEMBLY, 1/4" x 96-1/2" Lg.	1
10	I-1-32-0863	HOSE ASSEMBLY, 3/4" x 130" Lg.	1
11	3013-028	ADAPTER, O-Ring, 1-5/16" x 1", St.	1
12	2953	ADAPTER, 1/2" x 3/4", St.	1
13	See P.S.O.	TANK ASSEMBLY, Hydraulic	1
14	1665-175	TEE, Bulkhead, 9/16" x 9/16" x 9/16"	2
15	I-1-32-0839	HOSE ASSEMBLY, 3/8" X 22-1/2" Lg.	2
16	I-1-32-0840	HOSE ASSEMBLY, 3/8" X 18-1/2" Lg.	2
17	2947-996	FITTING, O-Ring, 9/16" x 9/16", 90°	4
18	See P.S.O.	CYLINDER ASSEMBLY, Steer	2
19	I-1-32-1478	FITTING, 1/2" x 9/16", St.	2
20	2949-030	FITTING, 1/2" x 9/16", St.	3
21	I-0-25-2199	VALVE, Cushion	1
22	2949-029	FITTING, 1/2" x 9/16", 90°	1
23	3013-017	FITTING, 9/16" x 9/16", 90°	1
24	3016-025	O-RING, 1"	1
25	3014-005	CLAMP, Split Flange, 1"	2
26	I-1-32-0852	HOSE ASSEMBLY, 1" x 109" Lg.	1
27	3013-088	ADAPTER, O-Ring, 1-1/16" x 3/4", 45°	2
28	2536-311	VALVE, Sensing	1
29	3013-012	ADAPTER, 7/16" x 1/4", St.	1
30	2948-105	BUSHING, O-Ring, 1/2" x 7/8"	1
31	1525	NIPPLE, 1/2"	1
32	2828-102	VALVE, Check, 1/2"	1
33	3003	ADAPTER, 1/2" x 1/2", 45°	1
34	I-1-32-0832	HOSE ASSEMBLY, 1/4" x 25" Lg.	1
35	2964-100	ADAPTER, 1" x 3/4", 90°	1
36	1562	BUSHING, 1-1/4" x 1"	1
37	2404-303*	FILTER	1
38	1561-005	BUSHING, 1-1/4" x 3/8"	1
39	1632	TEE, Service, 3/8"	1
40	2948	ADAPTER, 3/8" x 3/8", St.	1
41	1574-005	BUSHING, 3/8" x 1/4"	1
42	2948-015	ADAPTER, 1/4" x 1/4", 90°	1
43	1123	BOLT, 3/8" - 16 NC x 1-1/4"	4
44	1384	LOCKWASHER, 3/8"	4
*	4043-806	ELEMENT	1



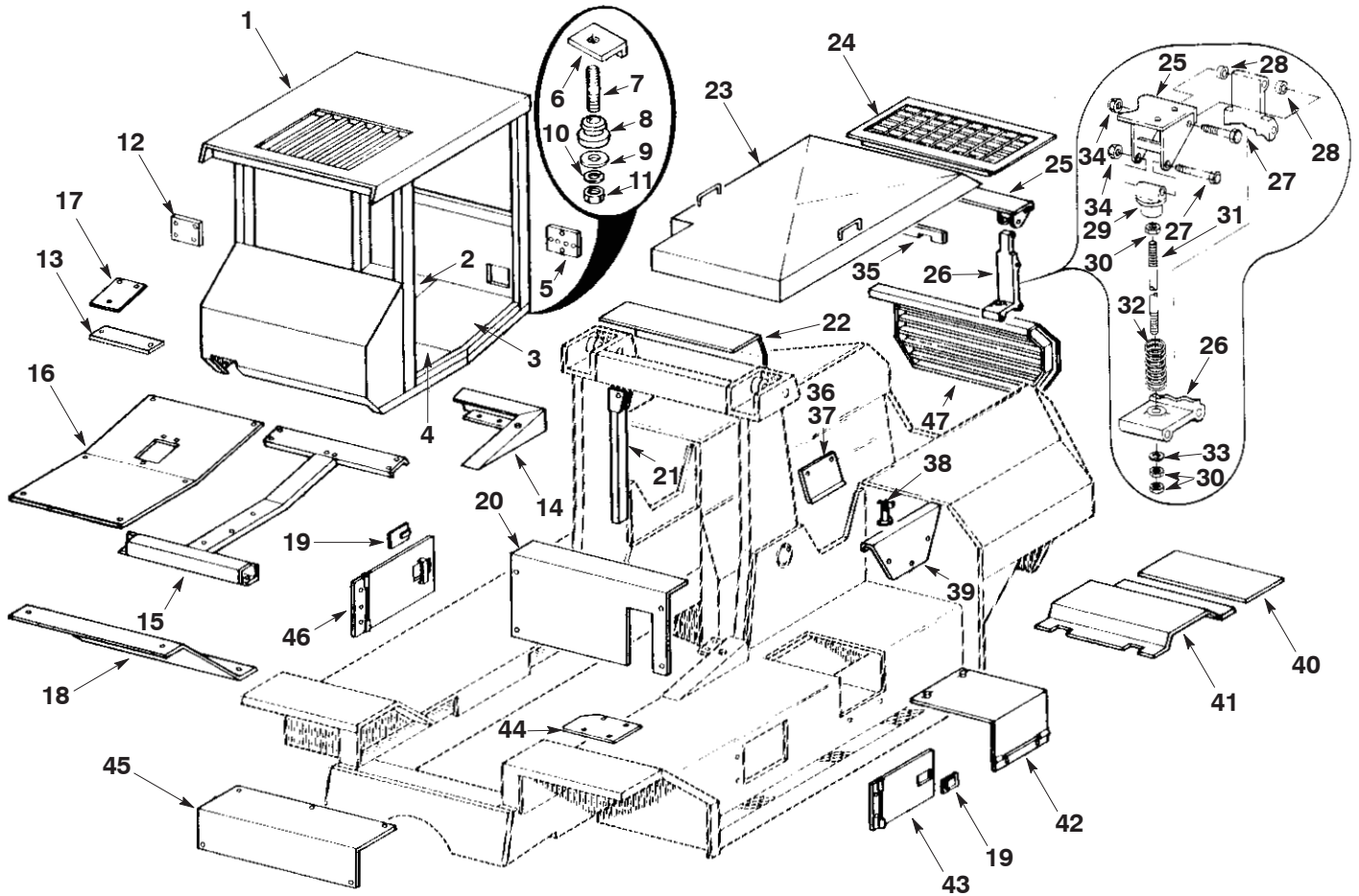
<u>Functional Group</u>	<u>Section</u>
Wheel Equipment	17
Frame	18
Body (Hull)	19
Cab/Canopy	20
Seat and Suspension	21

Chassis

Chassis
19-013
 Body Hull Group

Taylor

MODEL OR SERIES	COMPONENT OR ASSEMBLY NUMBER
TY-160 thru TY-300 & TYB-160 thru TYB-300	



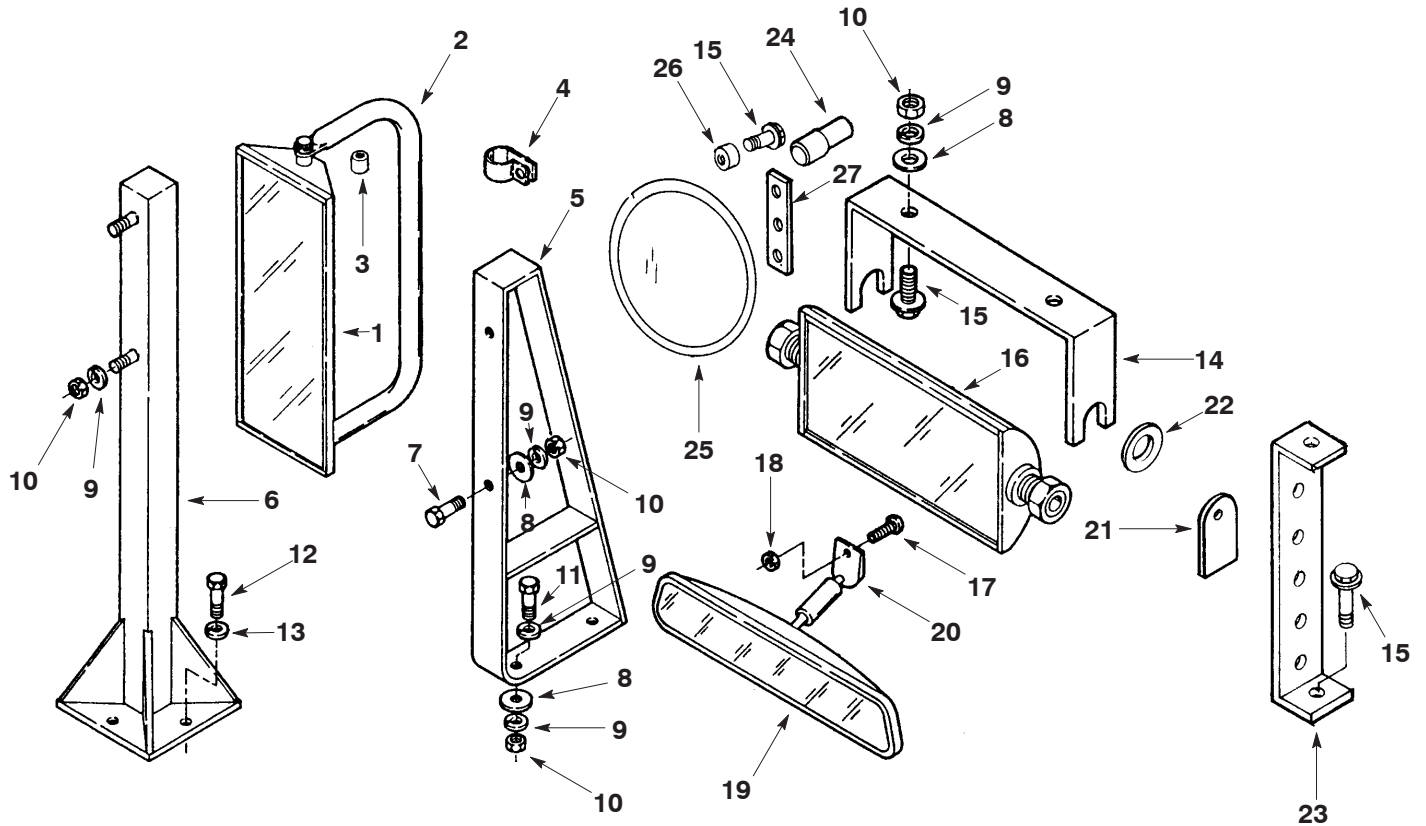
ITEM	PART NUMBER	DESCRIPTION	QTY.
1	I-1-28-0418	OPERATOR BASE ASSEMBLY (TY-160 thru TY-300 & TYB-160 thru TYB-180)	1
1A	I-1-28-0424	OPERATOR BASE ASSEMBLY (TYB-200 thru TYB-250)	1
2	I-1-28-0638	FLOORBOARD, Right Rear (TY-160 thru TY-300 & TYB-160 thru TYB-180)	1
2A	I-1-28-0452	FLOORBOARD, Right Rear (TYB-200 thru TYB-180)	1
3	I-1-28-0568	FLOORBOARD, Left Rear (TY-160 thru TY-300 & TYB-160 thru TYB-180)	1
3A	I-1-28-0421	FLOORBOARD, Left Rear (TYB-200 thru TYB-250)	1
4	I-0-28-2338	FLOORBOARD, Middle (TY-160 thru TY-300 & TYB-160 thru TYB-180)	1
4A	3249-922	FLOORBOARD, Middle (TYB-200 thru TYB-250)	1
5	I-1-28-0448	PLATE, Kill Switch Mounting	1
6	I-0-28-2237	BRACKET, Operator Base Mounting	4
7	I-0-28-2254	STUD, Operator Base Mounting	4
8	3255-110	MOUNT, Rubber	4
9	1429	FLATWASHER, 5/8"	4
10	1399	LOCKWASHER, 5/8"	4
11	1324	NUT, 5/8" NC	4
12	I-0-28-2238	PLATE, Battery Switch Cover	1

Chassis
19-013A
 Body Hull Group

Taylor

MODEL OR SERIES		COMPONENT OR ASSEMBLY NUMBER	
TY & TYB-160 thru 300			
ITEM	PART NUMBER	DESCRIPTION	QTY.
13	I-0-28-2230	PLATE, Accessory Hydraulic Cover	1
14	I-1-28-0415	MOUNT, Operator Base (For Offset Operator Only)	1
15	I-1-28-0416	CENTER WELDMENT (For Offset Operator Only)	1
16	I-0-01-3097	COVER, Back (For Offset Operator Only)	1
17	I-0-28-2227	COVER, Transmission Oil Check	1
18	I-0-01-3096	COVER, Front (For Offset Operator Only)	1
19	2404-162	LATCH, Door	2
20	I-0-28-2220	FIREWALL (Used with A-Frame Mounted Auxiliary Tank)	1
20A	I-0-23-4634	FIREWALL	1
21	I-1-01-0886	COVER, Hose	1
22	I-0-01-2292	COVER, A-Frame	1
23	I-1-23-1197	HOOD ASSEMBLY (TY-160 thru TY-300 with A-Frame Mounted Auxiliary Tank)	1
23A	I-1-23-1230	HOOD ASSEMBLY (For TYB-160 thru TYB-180 with A-Frame Mounted Auxiliary Tank)	1
23B	I-1-23-1231	HOOD ASSEMBLY (For TYB-200 thru TYB-250 with A-Frame Mounted Auxiliary Tank)	1
23C	I-1-23-2176	HOOD ASSEMBLY (For TY-160 thru TY-300)	1
23D	I-1-23-2354	HOOD ASSEMBLY (For TYB-160 thru TYB-180)	1
23E	I-1-23-2355	HOOD ASSEMBLY (For TYB-200 thru TYB-250)	1
24	I-1-23-1211	SPACER, Grill (For All 127" Wheelbase)	1
24A	I-1-23-1212	SPACER, Grill (For 137" Wheelbase)	1
25	I-1-23-1194	MOUNT, Hood	1
26	I-0-23-3725	SUPPORT, Spring	2
27	1166	BOLT, 1/2" - 13 NC x 4-1/2"	4
28	I-0-23-3572	BUSHING, Flatwasher	4
29	I-0-23-3570	STOP, Spring Top	2
30	1324	NUT, 5/8" NC	6
31	I-0-23-3474	ROD, Slide	2
32	2466-030	SPRING	2
33	1429	FLATWASHER, 5/8"	2
34	1366	NUT, 1/2" NC	4
35	I-1-23-1489	BAFFLE, Top (For all TYB-160 thru TYB-250 & TY-160 thru TY-300 with A-Frame Mounted Auxiliary Tank)	1
35A	I-1-23-2291	BAFFLE, Top (For TY-160 thru TY-300)	1
36	I-0-01-2290	GUARD, Mud, R.H. (Holes 9" on Center)	1
36A	I-0-01-3634	GUARD, Mud, R.H. (Holes 8-1/2" on Center)	1
37	I-0-01-2291	GUARD, Mud, L.H. (Holes 9" on Center)	1
37A	I-0-01-3633	GUARD, Mud, L.H. (Holes 9" on Center)	1
38	2404-147	FASTENER, Hood (TY-160 thru TY-300)	2
38A	I-0-23-0971	BRACKET, Hood (TYB-160 thru TYB-250)	2
38B	I-0-23-0972	CATCH, Hood (TYB-160 thru TYB-250)	2
39	I-0-01-2299	COVER, Engine Side (For 127" Wheelbase, except TYB's)	2
39A	I-0-01-2298	COVER, Engine Side (For 137" Wheelbase)	2
39B	I-0-01-2331	COVER, Engine Side, L.H. (For TYB-160 thru TYB-180)	1
39C	I-0-01-2330	COVER, Engine Side, R.H. (For TYB-160 thru TYB-180)	1
40	I-0-23-3106	BAFFLE, Rear (For 127" Wheelbase, except TYB's)	1
40A	I-1-23-1869	BAFFLE ASSEMBLY, Rear (For 137" Wheelbase)	1
40B	I-1-23-1492	BAFFLE ASSEMBLY, Rear (For 105" Wheelbase)	1
40C	I-1-23-1623	BAFFLE ASSEMBLY, Rear (For TYB-160 thru TYB-250)	1
41	I-1-23-1487	BAFFLE ASSEMBLY, Front Recirculation (For 127" Wheelbase)	1
41A	I-1-23-2280	BAFFLE ASSEMBLY, Front Recirculation (For 127" Wheelbase, except TYB's)	1
41B	I-1-23-1493	BAFFLE ASSEMBLY, Front Recirculation (For 137" Wheelbase with A-Frame Mounted Auxiliary Tank)	1
41C	I-1-23-2282	BAFFLE ASSEMBLY, Front Recirculation (For 137" Wheelbase)	1
41D	I-1-23-1486	BAFFLE ASSEMBLY, Front Recirculation (For 105" Wheelbase with A-Frame Mounted Auxiliary Tank)	1

MODEL OR SERIES	COMPONENT OR ASSEMBLY NUMBER
ALL MODELS	

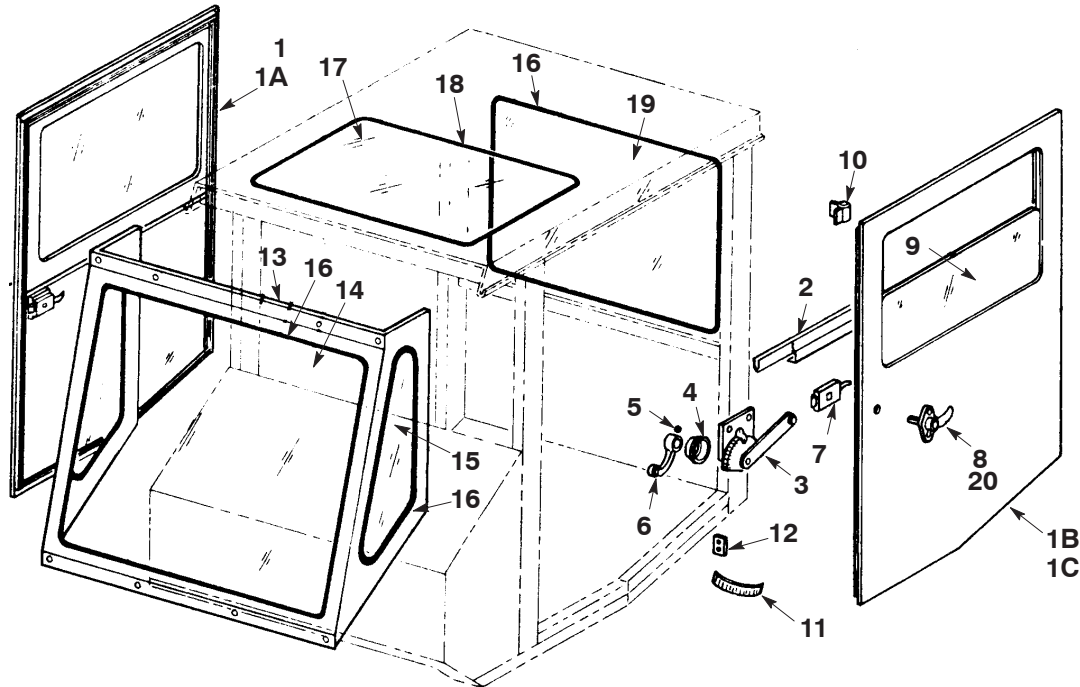


ITEM	PART NUMBER	DESCRIPTION	QTY.
1	2319-902	HEAD, Mirror (Used on WS, WOF, TY-160 thru TY-1100, TE-160 thru TE-360, TE-800L, TE-900S, TE-925S & TEC-920L thru TEC-950L)	AR
2	2319-903	YOKE, Swing-away	AR
3	2319-905	SPACER	2
4	2319-904	CLAMP, Universal	AR
5	I-1-01-1174	MOUNT, Mirror (Used on WOF, TY-160 thru TY-300, & TE-160 thru TE-360)	AR
6	I-1-28-0636	MOUNT, Mirror (Used on TY-360 thru TY-1100)	1
7	1123	BOLT, 3/8" - 16 NC x 1-1/4"	AR
8	1420	FLATWASHER, 3/8"	AR
9	1384	LOCKWASHER, 3/8"	AR
10	1315	NUT, 3/8" - 16 NC	AR
11	1126-005	BOLT, 3/8" - 16 NC x 1-1/2"	AR
12	1141-010	BOLT, 7/16" x 1-1/2"	4
13	1390	LOCKWASHER, 7/16"	4
14	I-0-28-2786	BRACKET, Rear View Mirror (Used w/2319-901 Inside Cab Mirror Head TY-100 thru TY-150, TYE-160 thru TYE-300 & TY-360 thru TY-1100)	1
14A	I-0-28-2904	BRACKET, Rear View Mirror (Used Inside Cab on TC-200 thru TC-300 w/2319-902 Mirror Head)	1
14B	I-0-23-4758	BRACKET, Rear View Mirror (Used w/2319-901 Inside Cab Mirror Head on TC-200 thru TC-300, TC-200S thru TC-400L, TC-360 thru TC-750, TYN-450S thru TYN-520S, TE-115S thru TE-155S, TE-160 thru TE-360, TE-360S thru TE-520M, TE-800L, TE-900S, TE-925S, & TEC-920L thru TEC-950L. Used outside cab on TC-200S thru TC-400L.	
15	1120-100	BOLT w/WASHER, 3/8" - 16 NC x 1"	AR
16	2319-901	HEAD, Mirror (Inside Cab)	1

Chassis
20-210
 Cab Assembly w/Roll-Up Windows

Taylor

MODEL OR SERIES	COMPONENT OR ASSEMBLY NUMBER
TY-160 thru TY-300 & TYB-160 thru TYB-300	

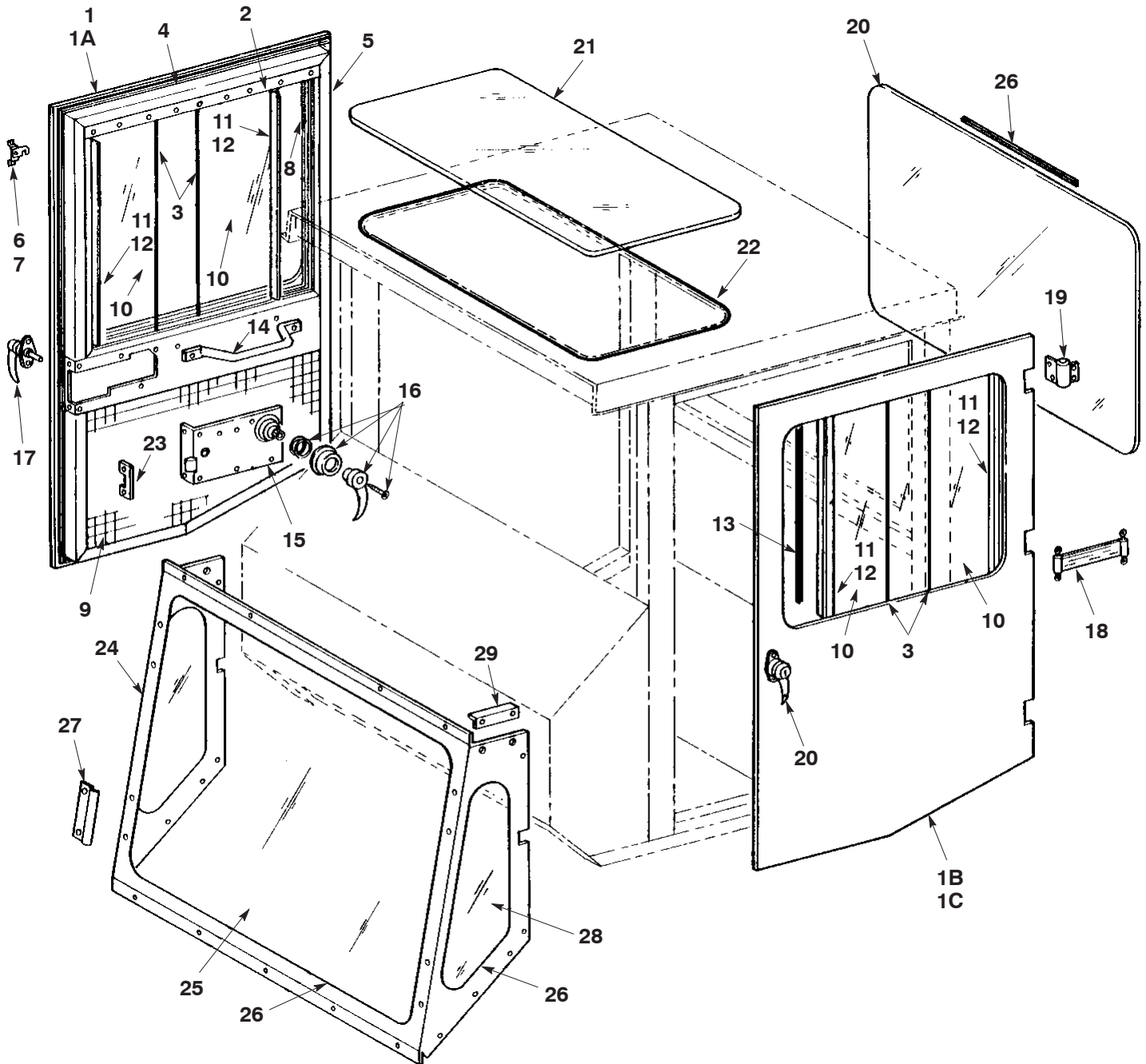


ITEM	PART NUMBER	DESCRIPTION	QTY.
1	S.O.	DOOR ASSEMBLY, R.H. (TY)	1
1A	S.O.	DOOR ASSEMBLY, R.H. (TYB)	1
1B	S.O.	DOOR ASSEMBLY, L.H. (TY)	1
1C	S.O.	DOOR ASSEMBLY, L.H. (TYB)	1
2	5593-040	CHANNEL, Bottom Glass	1
3	5593-033	REGULATOR, Window, R.H.	1
3A	5593-024	REGULATOR, Window, L.H.	1
4	5593-023	ESCUTCHEON, Handle	1
5	5593-022	SETSCREW	1
6	5593-050	HANDLE, Window	1
7	5593-060	LOCK, Door, R.H.	1
7A	5593-061	LOCK, Door, L.H.	1
8	3249-902	HANDLE, Locking Door	1
9	5593-036	GLASS, Door	1
10	5593-030*	HINGE, Door	3
11	5593-031	STRAP, Door	1
12	3249-140	PLATE, Striker	2
13	3249-028	WINDSHIELD	1
14	5593-034	GLASS, Front	1
15	5593-035	GLASS, Side	2
16	3250-080	MOULDING, Rubber	AR
17	3250-010	GLASS, Roof	1
18	3249-155	CEMENT, Glass Mounting	AR
19	3249-130	GLASS, Rear Panel	1
20	5925-288	KEY	1
NI	3249-729	INSULATION, Cab Top	1
NI	3249-137	INSULATION, Cab Rear Panel	1
NI	I-0-28-2243	FLOORMAT, Front	1
NI	I-0-28-2241	FLOORMAT, Right	1
NI	I-0-28-2242	FLOORMAT, Left	1
*	5593-039	PIN, Door Hinge	1

Chassis
20-210-1
 Cab Assembly w/Sliding Windows

Taylor

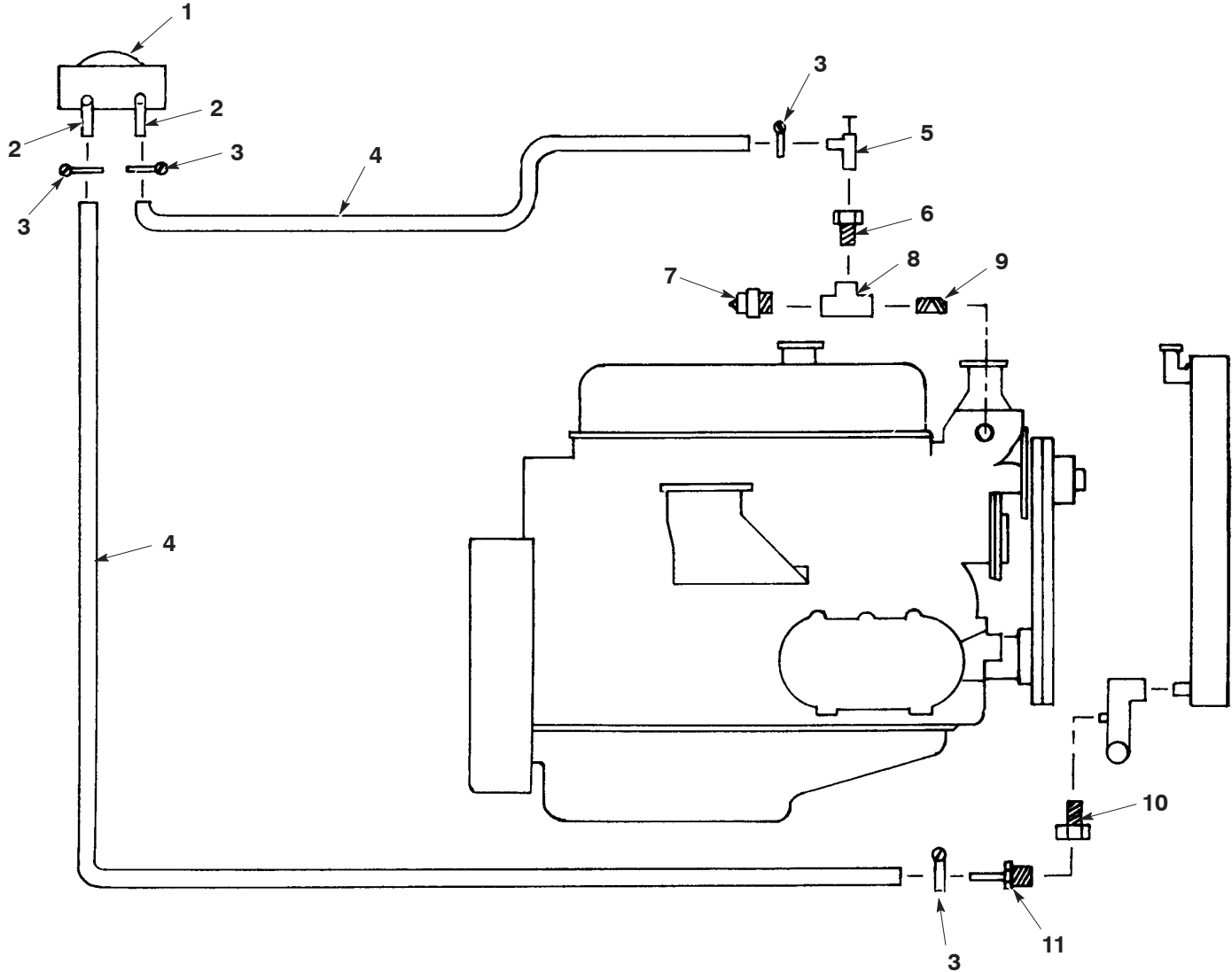
MODEL OR SERIES	COMPONENT OR ASSEMBLY NUMBER
TY-160 thru TY-300 & TYB-160 thru TYB-300	



Chassis
20A-2001
 Heater Circuit

Taylor

MODEL OR SERIES	COMPONENT OR ASSEMBLY NUMBER
TY-160 thru 300 S, M, L, & B w/4-53 GM	



ITEM	PART NUMBER	DESCRIPTION	QTY.
1	3249-061	HEATER	1
2	3249-080	FITTING, Ell, 90°	2
3	1710	CLAMP, Hose	4
4	2130	HOSE, 5/8"	AR
5	3249-070	VALVE, Shut-Off	1
6	1567	BUSHING, 1/2" x 3/8"	1
7	2734	SENDER, Temperature	1
8	1629	TEE, 1/2"	1
9	1525	NIPPLE, 1/2"	1
10	1555	BUSHING, 3/4" x 3/8"	1
11	2184	FITTING	1

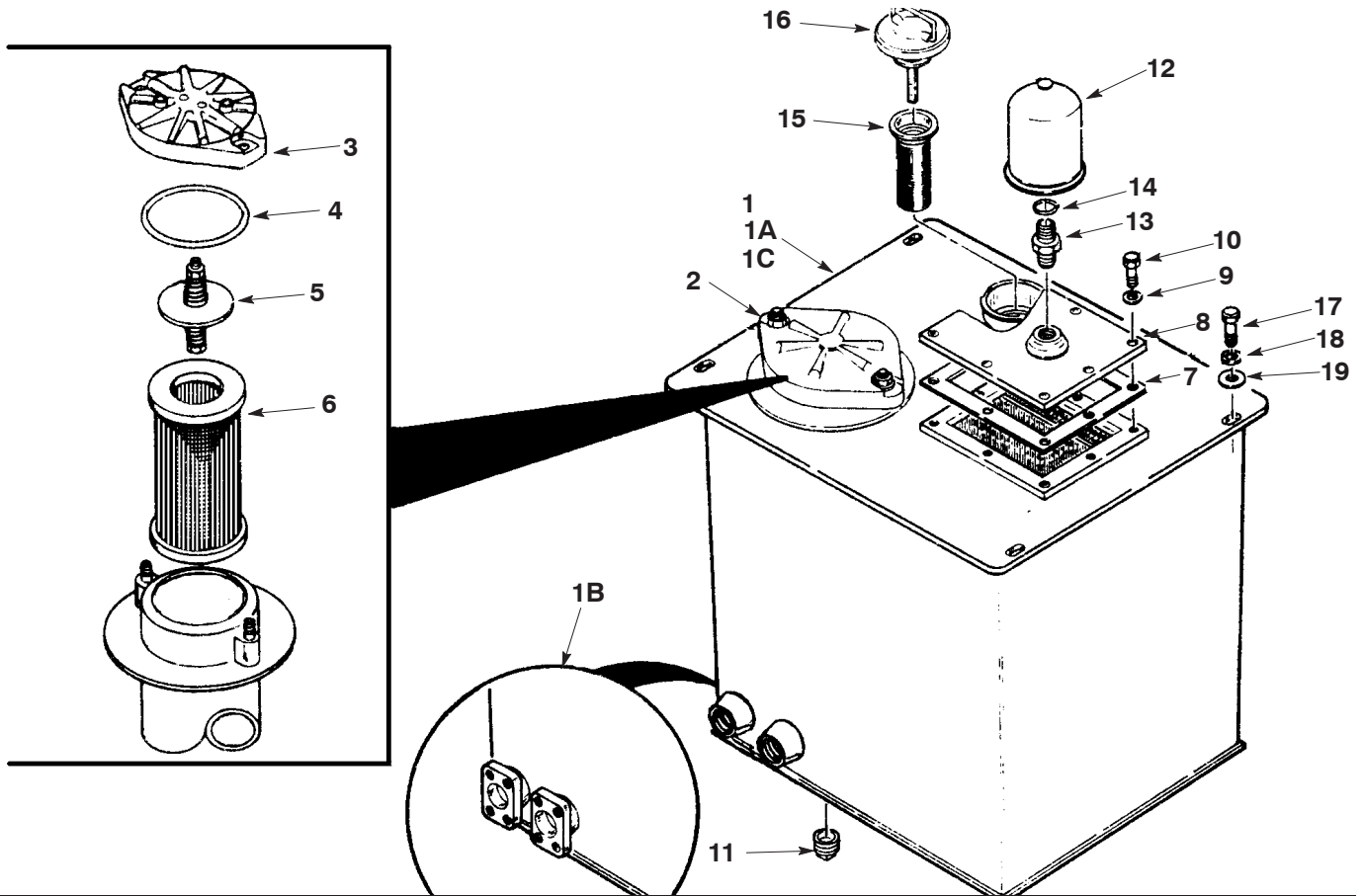


<u>Functional Group</u>	<u>Section</u>
Piping (Schematic Diagrams)	22
Pumps	23
Valves	24
(Steering Control Valves Excluded)	
Controls	25
Cylinders	26

Hydraulic System
22-513
 Hydraulic Tank Assembly

Taylor

MODEL OR SERIES	COMPONENT OR ASSEMBLY NUMBER
TY & TYE-160 thru 300	I-1-22-0320 I-1-22-0301 I-1-22-0204 I-1-22-0359

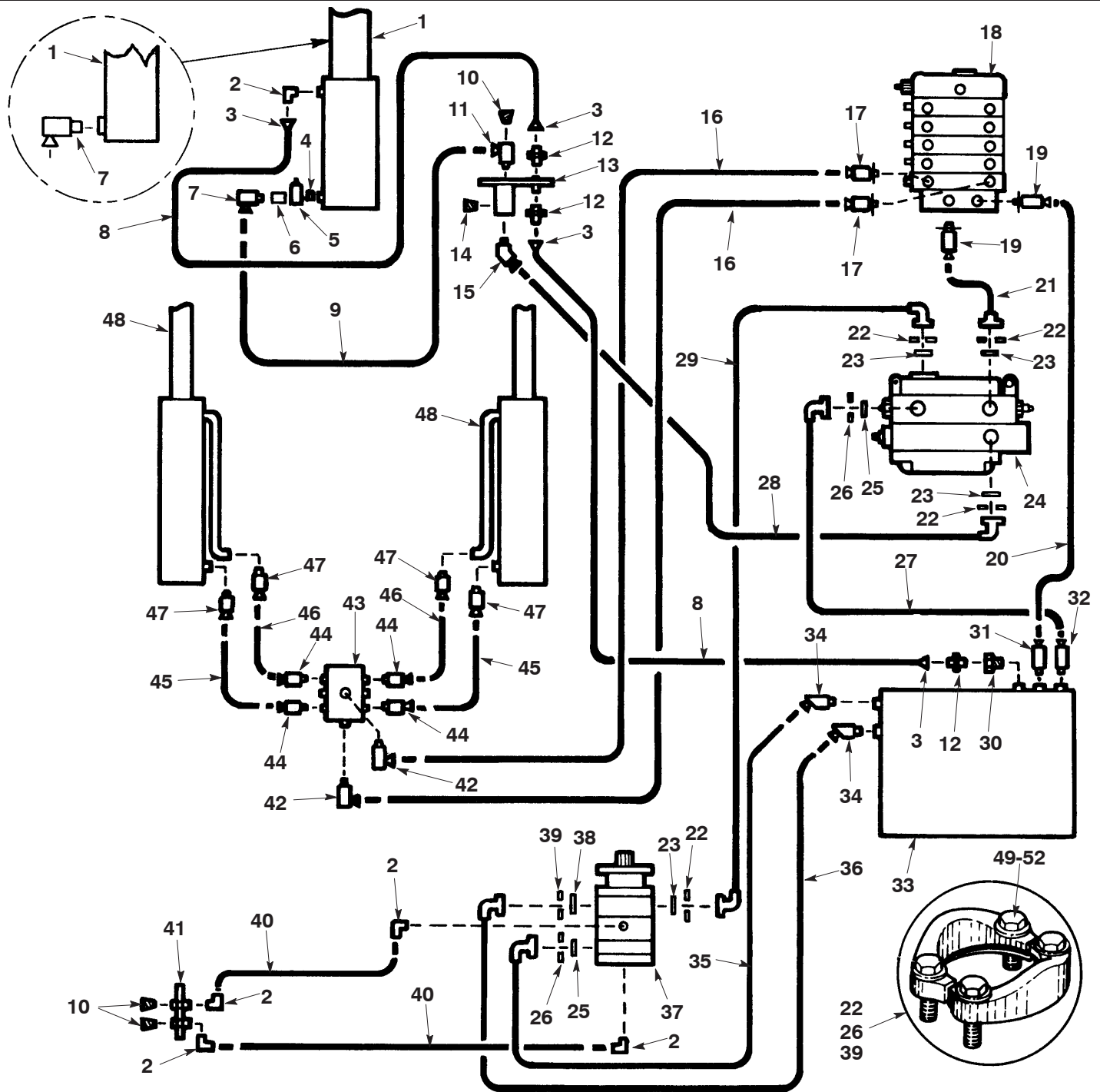


ITEM	PART NUMBER	DESCRIPTION	QTY.
1	I-1-22-0320	HYDRAULIC TANK ASSEMBLY	
1A	I-1-22-0301	HYDRAULIC TANK ASSEMBLY (For TY-160 thru TY-300 w/Threaded Ports)	
1B	I-1-22-0204	HYDRAULIC TANK ASSEMBLY (w/Split Flange Ports)	
1C	I-1-22-0359	HYDRAULIC TANK ASSEMBLY (For TYE-160 thru TYE-300 w/Threaded Ports)	
2	2404-302	FILTER ASSEMBLY, Welded	1
3	4044-426	HEAD ASSEMBLY	1
4	4044-321	O-RING	1
5	4044-331	VALVE ASSEMBLY, Bypass	1
6	4044-318	FILTER ELEMENT	1
6A	2404-307	FILTER ELEMENT (For Water Glycol)	1
7	2716-020	GASKET, Tank Cover	1
8	I-1-22-0205	COVER ASSEMBLY	1
9	1384	WASHER, Lock, 3/8"	8
10	1120	BOLT, 3/8" x 3/4" NC	8
11	1489	PLUG, Pipe, 1-1/4"	AR
12	2126	FILTER	1
13	1005-208	ADAPTER, Breather	1
14	2789-516	O-RING, 3/4"	1
15	2720-270	STRAINER, Hydraulic Tank	1
16	2720-260	CAP AND DIPSTICK, Hydraulic Tank	1
17	1153	BOLT, 1/2" NC	4
18	1396	WASHER, Lock, 1/2"	4
19	1426	WASHER, Flat, 1/2"	4

Hydraulic System
22-2066
 Main Hydraulic Circuit

Taylor

MODEL OR SERIES	COMPONENT OR ASSEMBLY NUMBER
TY & TYB-160 thru 300 w/2823-106 Tilt Lock Valve	



ITEM	PART NUMBER	DESCRIPTION	QTY.
1	See P.S.O.	CYLINDER ASSEMBLY, Lift	1
2	2243-740	FITTING, 1/4" x 7/16", 90°	5
3	2947-250	FITTING, Female, 1/4" x 7/16"	4
4	3016-025	O-RING, 1"	1
5	2822-050	FLOW REGULATOR ASSEMBLY	1
6	I-0-30-0055	EXTENSION	1
7	2967	ADAPTER, 1", 90°	1

Hydraulic System
22-2066A
 Main Hydraulic Circuit

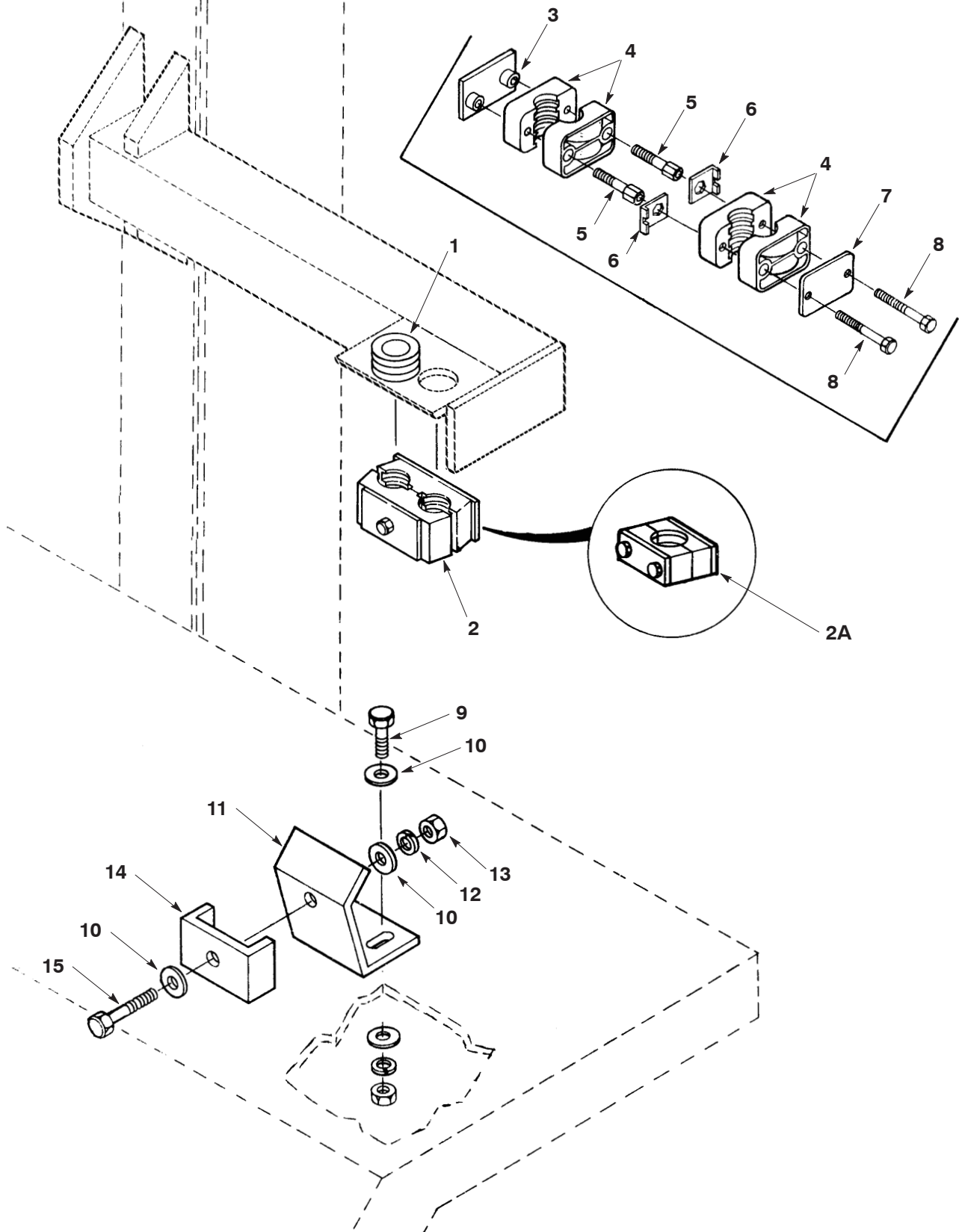
Taylor

MODEL OR SERIES		COMPONENT OR ASSEMBLY NUMBER	
TY & TYB-160 thru 300 w/2823-106 Tilt Lock Valve			
ITEM	PART NUMBER	DESCRIPTION	QTY.
8	2836	HOSE, Air, 1/4"	AR
9	I-1-32-0482	HOSE ASSEMBLY, 1" x 27" Lg.	1
9A	I-1-32-0483	HOSE ASSEMBLY, 1" x 42" Lg. (TYB Models Only)	1
10	1478	PLUG, 1/4"	3
11	I-0-30-0010	FITTING, Pressure Check	1
12	1665-001	FITTING, 1/4" x 7/16", St.	3
13	I-1-25-0577	BRACKET AND BLOCK ASSEMBLY	1
14	1482	PLUG, 3/4"	1
15	3009	ADAPTER, 1", 45°	1
16	I-1-32-0834	HOSE ASSEMBLY, 3/4" x 120" Lg.	2
16A	I-1-32-0867	HOSE ASSEMBLY, 3/4" x 108" Lg. (TYB Models Only)	2
17	2996	ADAPTER, O-Ring, 3/4" x 1-1/16", St.	2
18	See P.S.O.	VALVE, Accessory	1
19	3013-028	ADAPTER, O-Ring, 1" x 1-5/16", St.	2
20	I-1-32-0857	HOSE ASSEMBLY, 1" x 25" Lg.	1
21	I-1-32-0856	HOSE ASSEMBLY, 1" x 23" Lg.	1
22	3016-250	CLAMP, Split Flange, 1-1/4"	8
23	3016-050	O-RING, 1-1/4"	4
24	See P.S.O.	VALVE, Lift	1
25	3016-055	O-RING, 1-1/2"	2
26	3016-260	CLAMP, Split Flange, 1-1/2"	4
27	I-1-32-0855	HOSE ASSEMBLY, 1-1/2" x 28-1/2" Lg.	1
28	I-1-32-0858	HOSE ASSEMBLY, 1" x 71" Lg.	1
28A	I-1-32-0866	HOSE ASSEMBLY, 1" x 79" Lg. (TYB Models Only)	1
29	I-1-32-0987	HOSE ASSEMBLY, 1" x 134" Lg.	1
29A	I-1-32-0864	HOSE ASSEMBLY, 1" x 109" Lg. (TYB Models Only)	1
30	1558	BUSHING, 1/2" x 1/4"	1
31	3006	ADAPTER, 1", St.	1
32	2983	ADAPTER, 1/2", St.	1
33	See P.S.O.	HYDRAULIC TANK ASSEMBLY	1
34	2985	ADAPTER, 1-1/2", 45°	2
35	I-1-32-1175	HOSE ASSEMBLY, 1-1/2" x 76" Lg.	1
36	I-1-32-1176	HOSE ASSEMBLY, 1-1/2" x 68" Lg.	1
37	See P.S.O.	PUMP, Main Hydraulic	1
38	3016-060	O-RING, 2"	1
39	3016-270	CLAMP, Split Flange, 2"	2
40	I-1-32-0823	HOSE ASSEMBLY, 1/4" x 38" Lg.	2
41	I-1-01-0921	CHECK PLATE ASSEMBLY	1
42	2958	ADAPTER, 3/4", 90°	2
43	2823-106	VALVE, Tilt Lock	1
44	2996-900	ADAPTER, 3/4" x 1/2", St.	4
45	I-1-32-0299	HOSE ASSEMBLY, 1/2" x 15-1/4" Lg.	2
45A	I-1-32-0872	HOSE ASSEMBLY, 1/2" x 18" Lg. (TYB Models Only)	2
46	I-1-32-0859	HOSE ASSEMBLY, 1/2" x 14" Lg.	2
47	2994	ADAPTER, 1/2" x 1/2", St.	4
48	See P.S.O.	CYLINDER ASSEMBLY, Tilt	2
49	1141	BOLT, 7/16" - 14 NC x 1-1/2" (For 1-1/4" Split Flanges)	16
50	1153	BOLT, 1/2" - 13 NC x 1-1/2" (For 1-1/2" & 2" Split Flanges)	12
51	1390	LOCKWASHER, 7/16"	16
52	1396	LOCKWASHER, 1/2"	12

Hydraulic System
22A-100
Accessory Hose Clamp

Taylor

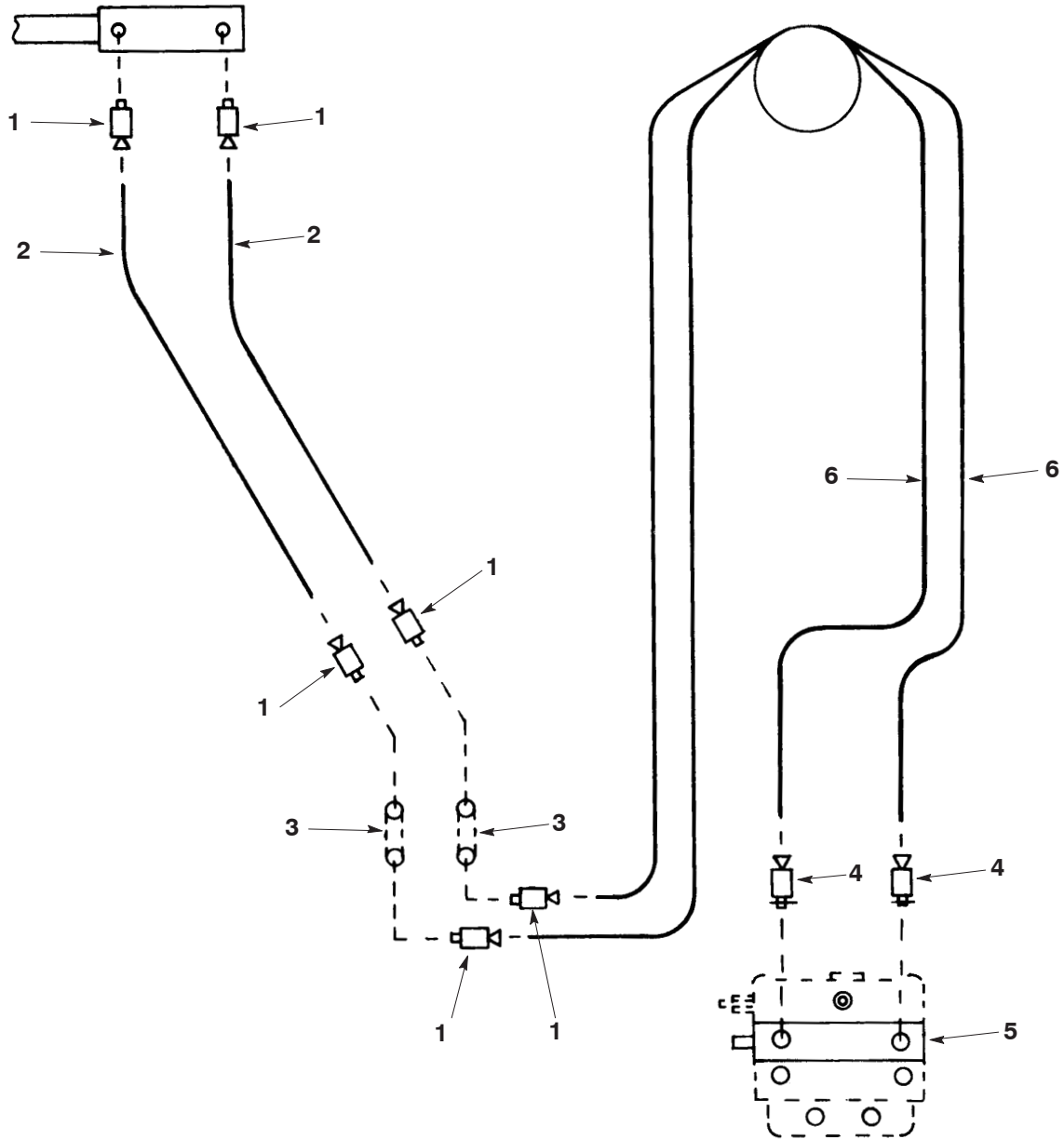
MODEL OR SERIES	COMPONENT OR ASSEMBLY NUMBER
TC-200 thru TC-300, TCH-300; TY-100 thru TY-950; TE-160 thru TE-360	



Hydraulic System
22A-2041
 Trip Circuit

Taylor

MODEL OR SERIES	COMPONENT OR ASSEMBLY NUMBER
TY-160 thru 300 w/Rigid Mast	

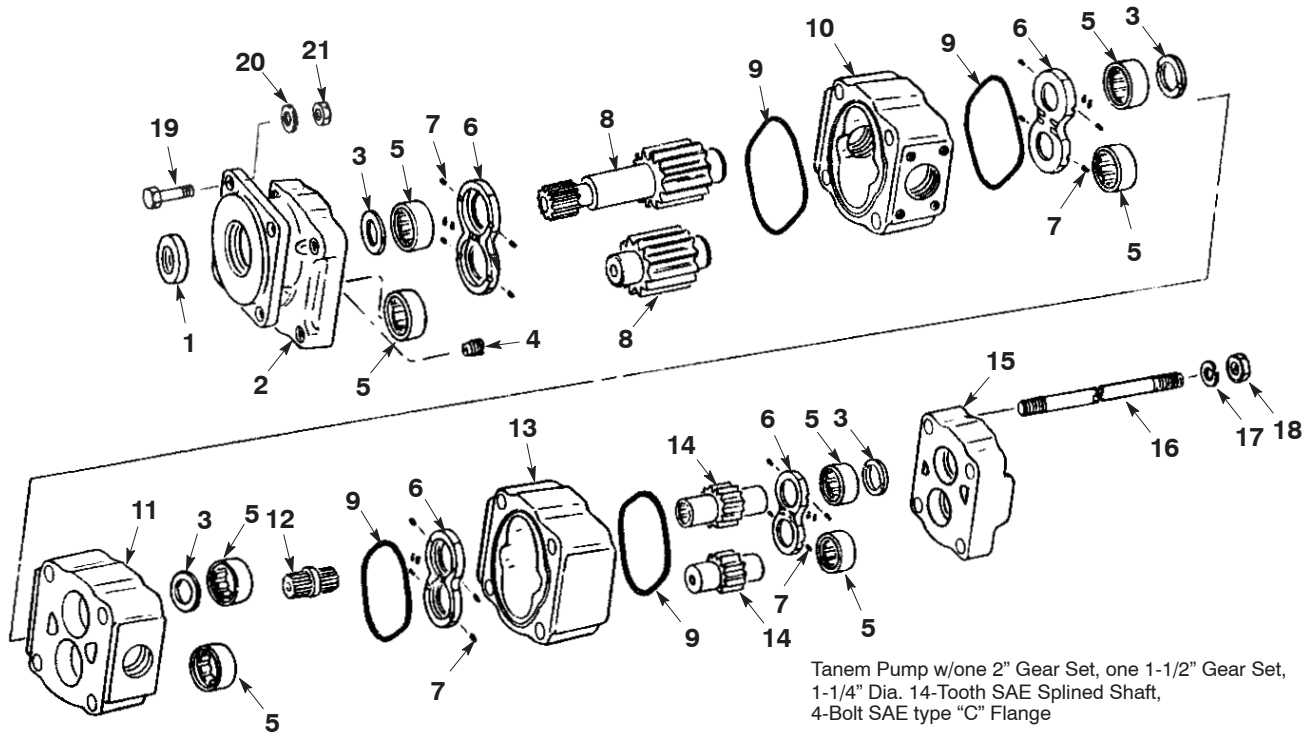


ITEM	PART NUMBER	DESCRIPTION	QTY.
1	2994	ADAPTER, 1/2" x 1/2", St.	6
2	I-1-32-0093	HOSE ASSEMBLY, 1/2" x 184-1/2" Lg.	2
3	I-1-18-0136	BRACKET, Dead End	2
4	2948-109	ADAPTER, 3/4" x 1/2", St.	2
5	See P.S.O.	VALVE, Accessory	1
6	I-1-32-0417	HOSE ASSEMBLY (With 15' Mast)	2
6A	I-1-32-0430	HOSE ASSEMBLY (With 18' Mast)	2

Hydraulic System
23-038
 Hydraulic Pump Assembly

Taylor

MODEL OR SERIES	COMPONENT OR ASSEMBLY NUMBER	
TY & TYB-160 thru 300	C. S. & S. P50 B-278-BION20-7 DOH 15-1	2748-110

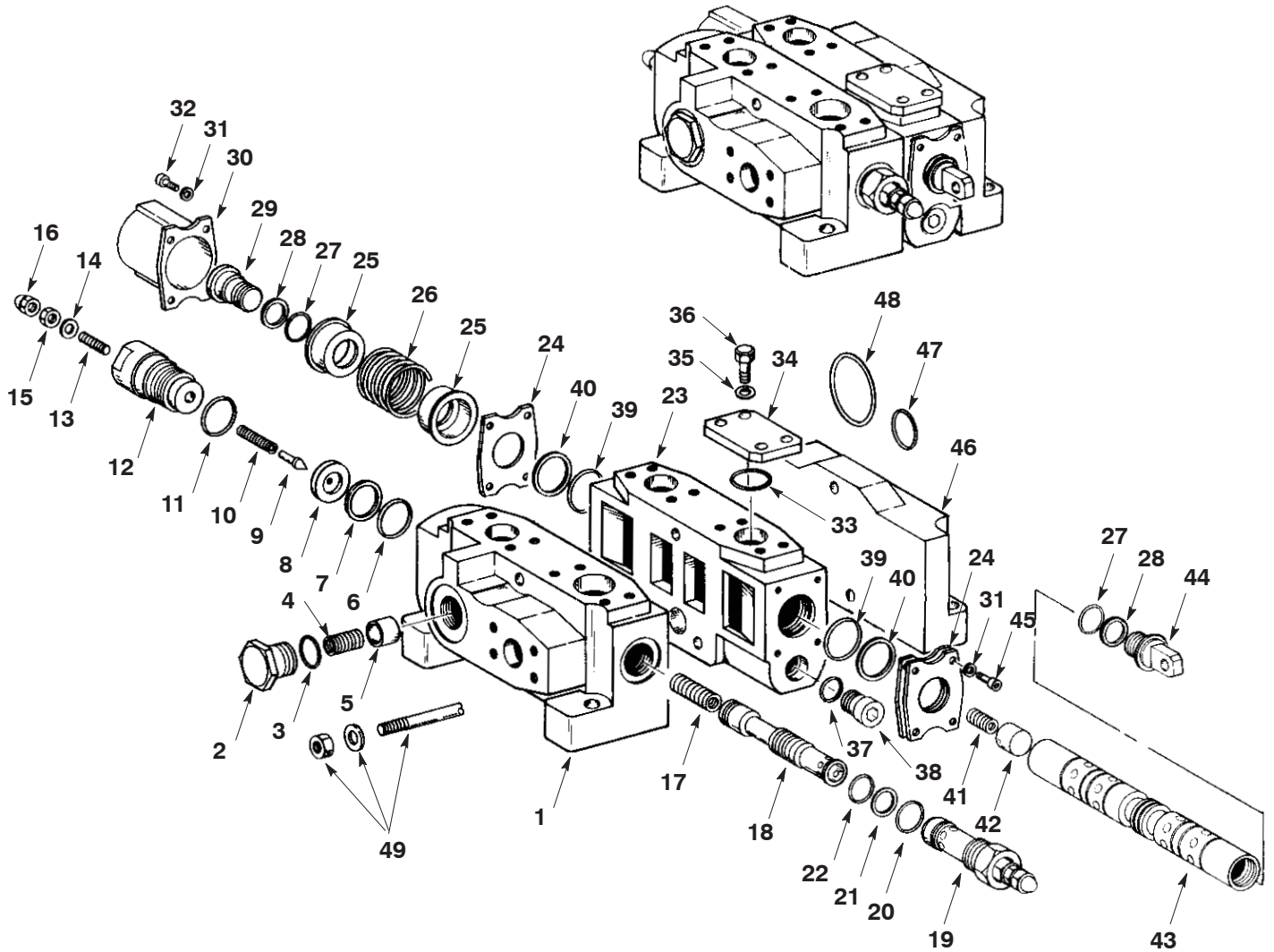


ITEM	PART NUMBER	DESCRIPTION	QTY.
	2748-110	HYDRAULIC PUMP ASSEMBLY, Complete	
1	5528-016	SEAL, Lip	1
2	5369-013	COVER, Shaft End	1
3	5270-080	SEAL, Ring	4
4	5349	PLUG	2
5	5487	BEARING, Roller	8
6	5521-500	PLATE, Thrust	4
7	6764-825	SEAL, Pocket	24
8	5325-125	GEAR SET, Shaft	1
9	5519-328	SEAL	4
10	5274-285	HOUSING, Gear	1
11	5274-105	CARRIER, Bearing	1
12	5495-609	SHAFT, Connecting	1
13	5274-099	HOUSING, Gear	1
14	5413-011	GEAR SET, 1"	1
15	5274-104	HOUSING, End	1
16	5274-114	STUD	4
17	5560-025	WASHER	4
18	5562-995	NUT	4
19	1156	BOLT, 1/2" - 13 NC x 1-3/4"	4
20	1396	LOCKWASHER, 1/2"	4
21	1321	NUT, 1/2" NC	4

Hydraulic System
24-022
 Hydraulic Control Valve

Taylor

MODEL OR SERIES	COMPONENT OR ASSEMBLY NUMBER
TY & TYB-160 thru 300	2796-500

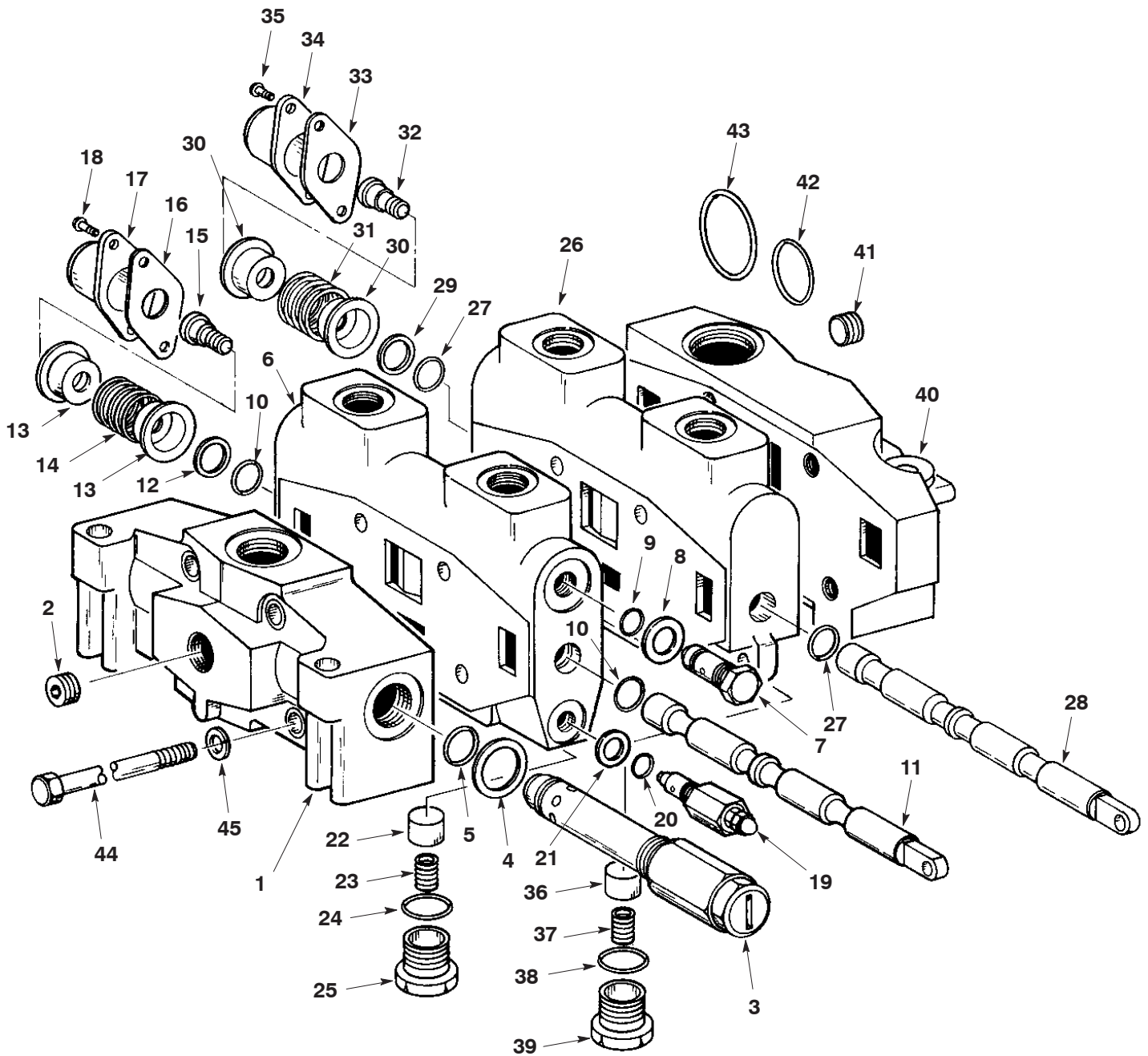


ITEM	PART NUMBER	DESCRIPTION	QTY.
	2796-500	LIFT VALVE ASSEMBLY, Complete	
1	5226-177	SECTION, Inlet	1
2	5274-113	CAP, Check	1
3	5274-135	O-RING	1
4	5274-146	SPRING, Check	1
5	5274-126	POPPET, Check	1
6	5274-140	O-RING	1
7	5274-130	O-RING, Backup	1
8	5274-127	RETAINER, Poppet Seat and Seal	1
9	5274-125	POPPET	1
10	5274-142	SPRING, Poppet	1
11	5274-136	O-RING	1
12	5274-182	RETAINER, Poppet	1
13	5274-175	SCREW, Adjuster, 1/2" - 20 NF x 1-1/4"	1
13A	5274-176	SCREW, Adjusting, 1/2" - 20 NF x 1-1/2"	1
14	5274-119	GASKET	1

Hydraulic System
24-027
 Hydraulic Control Valve

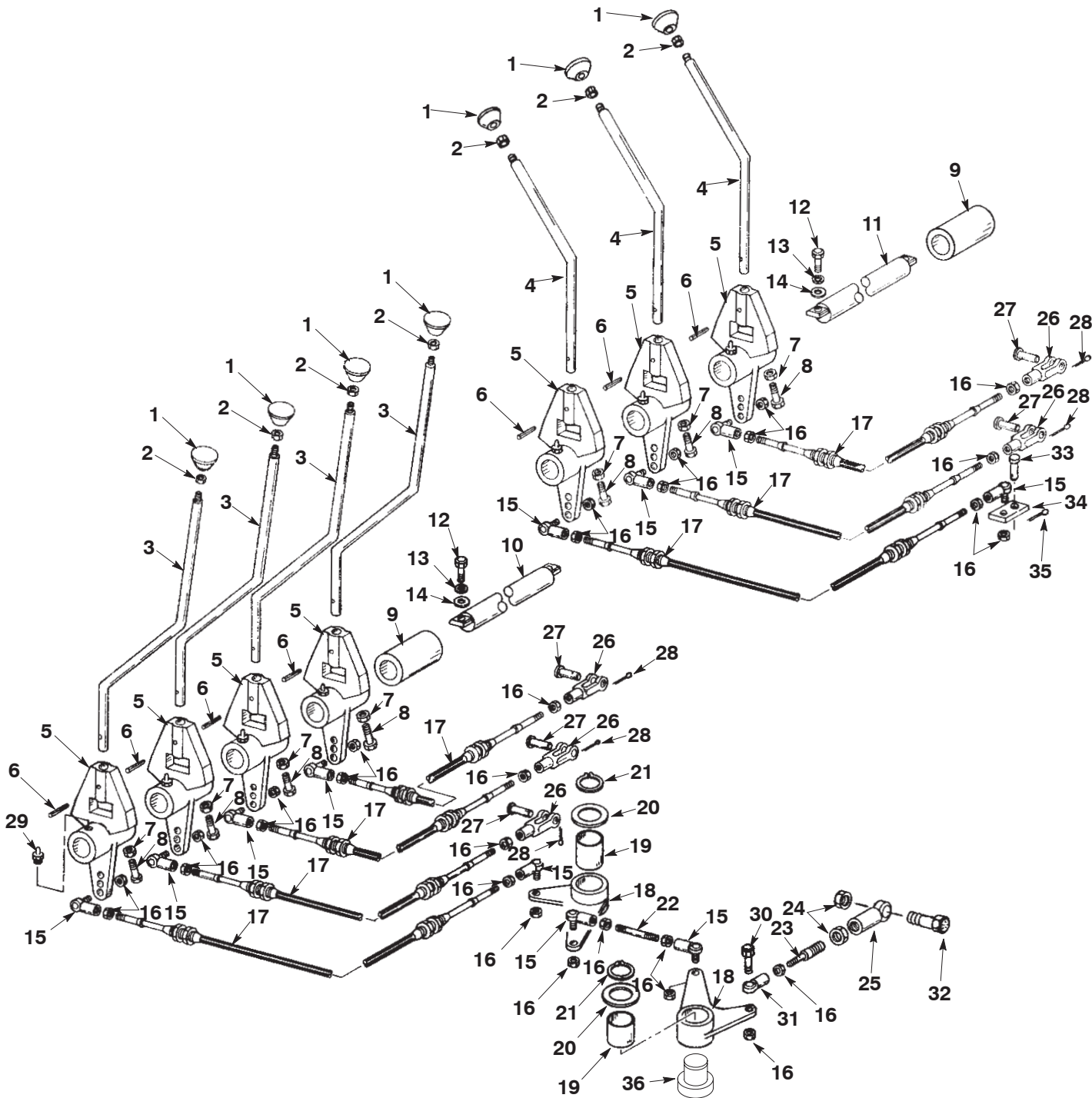
Taylor

MODEL OR SERIES	COMPONENT OR ASSEMBLY NUMBER
TY & TYB-160 thru 300	



ITEM	PART NUMBER	DESCRIPTION	QTY.
1	2797-075	SECTION, Inlet	1
2	1480	PLUG, Pipe, 1/2"	1
3	5274-101	VALVE ASSEMBLY, Relief	1
4	5274-118	GASKET, Washer	1
5	5274-137	O-RING	1

MODEL OR SERIES	COMPONENT OR ASSEMBLY NUMBER
TY & TYB-160 thru 300	



ITEM	PART NUMBER	DESCRIPTION	QTY.
1	2550-001	KNOB, Lift	1
1A	2550-050	KNOB, Tilt	1
1B	2550-003	KNOB, Side Shift	1
1C	2550-004	KNOB, Left Fork	1

Hydraulic System
25-010A
Hydraulic Controls

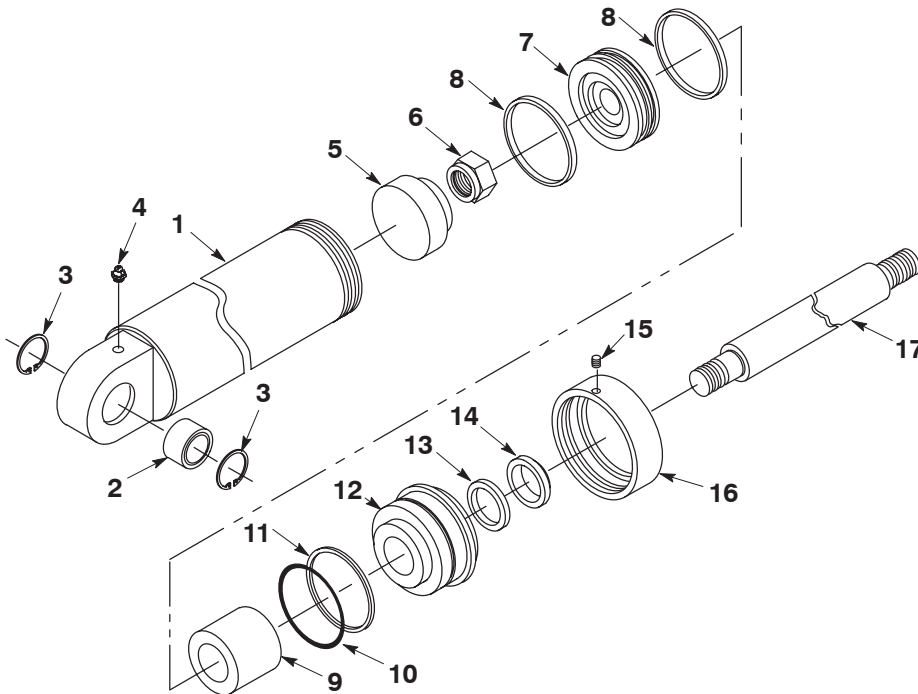
Taylor

MODEL OR SERIES		COMPONENT OR ASSEMBLY NUMBER	
TY & TYB-160 thru 300			
ITEM	PART NUMBER	DESCRIPTION	QTY.
1D	2550-005	KNOB, Right Fork	1
1E	2550-006	KNOB, Trip	1
1F	2550-007	KNOB, Slope	1
1G	2550-008	KNOB, Clamp	1
1H	2550-009	KNOB, Rotate	1
1I	2550-010	KNOB, Plain	1
1J	2550-017	KNOB, Twistlock	1
1K	2550-018	KNOB, Spreader	1
1L	2550-019	KNOB, Pile Slope	1
1M	2550-020	KNOB, Slope Selector	1
2	1285-500	NUT, Jam, 3/8" NF	AR
3	I-0-25-1652	LEVER, Control	AR
4	I-0-25-1653	LEVER, Control	AR
4A	I-0-25-1909	LEVER, Control, Twistlock	1
5	I-0-25-1654	PIVOT, Control Lever	AR
6	2174-006	PIN, Drive Lock	AR
7	1118	BOLT, 5/16" - 18 Nx 1"	AR
8	1312	NUT, 5/16" NC	AR
9	I-0-25-1658	SPACER, Lever	AR
10	I-0-92-0019	PIN, Lever	1
11	I-0-92-0020	PIN, Lever (For 2 Levers)	1
11A	I-0-92-0025	PIN, Lever (For 3 Levers)	1
12	1121	BOLT, 3/8" - 16 NC x 1"	4
13	1384	LOCKWASHER, 3/8"	4
14	1420	FLATWASHER, 3/8"	4
15	3321-990	END, Rod, 5/16"	AR
16	1282	NUT, 5/16" NF	AR
17	2704-005	CABLE, Control, 5/16" x 50" (For Center Mount Operator)	AR
17A	2704-010	CABLE, Control, 5/16" x 72" (For Offset Operator - See Note Below)	AR
17B	2704-006	CABLE, Control, 5/16" x 60" (For TYB-160 thru TYB-250)	AR
17C	2704-090	CABLE, Control, 5/16" x 96" (For Remote Mount 7th Section Valve, Offset)	1
18	I-1-25-0590	LINKAGE WELDMENT, Valve	2
19	2003	BUSHING	2
20	1983-010	RACE, Thrust	2
21	2065-087	SNAPRING	2
22	I-0-25-1655	ROD, Linkage	1
23	I-0-25-1656	ROD, Linkage	1
24	1291	NUT, 1/2" NF	2
25	1987-130	END, Rod, 1/2"	1
26	2174-500	CLEVIS	AR
27	2174-010	PIN, Clevis	AR
28	1456	PIN, Cotter	AR
29	1686	FITTING, Grease, 1/8" St.	AR
30	1009	BOLT, 5/16" - 24 NF x 1-1/4" Lg.	1
31	3321-991	END, Rod, 5/16"	1
32	1069	BOLT, 1/2" - 20 NF x 1-3/4" Lg.	1
33	2175-030	PIN, Clevis, 5/16"	1
34	I-0-25-1896	LINK, Connector	1
35	1452	PIN, Cotter, 1/16" x 1"	1
36	I-0-92-0018	PIN	2
NOTE: For remote mount 7th section valve, center mount.			

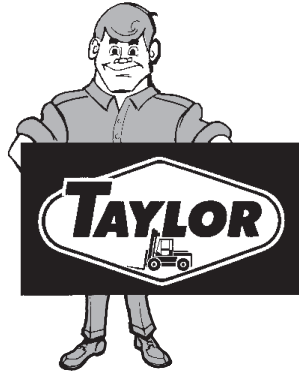
Hydraulic System
26-337
 Hydraulic Cylinder Assembly

Taylor

MODEL OR SERIES	COMPONENT OR ASSEMBLY NUMBER				
See P.S.O.	I-1-26-1088	I-1-26-1121	I-1-26-1603	I-1-26-2936	I-1-26-3341
	I-1-26-1089	I-1-26-1250	I-1-26-2479	I-1-26-2937	I-1-26-3360
	I-1-26-1120	I-1-26-1355	I-1-26-2515	I-1-26-3099	I-1-26-3400



ITEM	PART NUMBER	DESCRIPTION	QTY.
	I-1-26-1088	HYDRAULIC CYLINDER ASSEMBLY, Complete (3-3/4" Bore x 42" Stroke)	
	I-1-26-1089	HYDRAULIC CYLINDER ASSEMBLY, Complete (3-3/4" Bore x 42" Stroke)	
	I-1-26-1120	HYDRAULIC CYLINDER ASSEMBLY, Complete (3-3/4" Bore x 36" Stroke)	
	I-1-26-1121	HYDRAULIC CYLINDER ASSEMBLY, Complete (3-3/4" Bore x 36" Stroke)	
	I-1-26-1250	HYDRAULIC CYLINDER ASSEMBLY, Complete (3-3/4" Bore x 27" Stroke)	
	I-1-26-1355	HYDRAULIC CYLINDER ASSEMBLY, Complete (3-3/4" Bore x 12-5/8" Stroke)	
	I-1-26-1603	HYDRAULIC CYLINDER ASSEMBLY, Complete (3-3/4" Bore x 17-1/2" Stroke)	
	I-1-26-2479	HYDRAULIC CYLINDER ASSEMBLY, Complete (3-3/4" Bore x 28-3/8" Stroke)	
	I-1-26-2515	HYDRAULIC CYLINDER ASSEMBLY, Complete (3-3/4" Bore x 28-3/8" Stroke)	
	I-1-26-2936	HYDRAULIC CYLINDER ASSEMBLY, Complete (3-3/4" Bore x 39-5/16" Stroke)	
	I-1-26-2937	HYDRAULIC CYLINDER ASSEMBLY, Complete (3-3/4" Bore x 34-1/4" Stroke)	
	I-1-26-3099	HYDRAULIC CYLINDER ASSEMBLY, Complete (3-3/4" Bore x 20-3/8" Stroke)	
	I-1-26-3341	HYDRUALIC CYLINDER ASSEMBLY, Complete (3-3/4" Bore x 36-1/2" Stroke)	
	I-1-26-3360	HYDRAULIC CYLINDER ASSEMBLY, Complete (3-3/4" Bore x 40" Stroke)	
	I-1-26-3400	HYDRAULIC CYLINDER ASSEMBLY, Complete (3-3/4" Bore x 36-1/2" Stroke)	
1	I-1-26-1025	TUBING ASSEMBLY (For I-1-26-1120 & I-1-26-1121)	1
1A	I-1-26-0901	TUBING ASSEMBLY (For I-1-26-1089, I-1-26-1250, I-1-26-1355, I-1-26-1603, I-1-26-2936 I-1-26-2937, I-1-26-3099, I-1-26-3341 & I-1-26-3360)	1
1B	I-1-26-0941	TUBING ASSEMBLY (For I-1-26-1088 & I-1-26-3400)	1
1C	I-1-26-2514	TUBING ASSEMBLY (For I-1-26-2515)	1
2	2007-100	BEARING, Self-Aligning	1
3	3141-010	RING, Snap	2
4	1686	FITTING, Grease	2
1D	I-1-26-2483	TUBING ASSEMBLY (For I-1-26-2479)	1
2A	1987-100	BEARING, Self-Aligning	1
3A	1749-550	RING, Snap	2
4A	1686	FITTING, Grease	2
5	I-0-26-1600	SPACER, Butt, 10-3/4" Lg. (For I-1-26-1355)	1
5A	I-0-26-1921	SPACER, Butt, 3" Lg. (For I-1-26-1603)	1
5B	I-0-26-2741	SPACER, Butt, 2-7/8" Lg. (For I-1-26-2479)	1
5C	I-0-26-3598	SPACER, Butt, 5-1/2" Lg. (For I-1-26-3341)	1



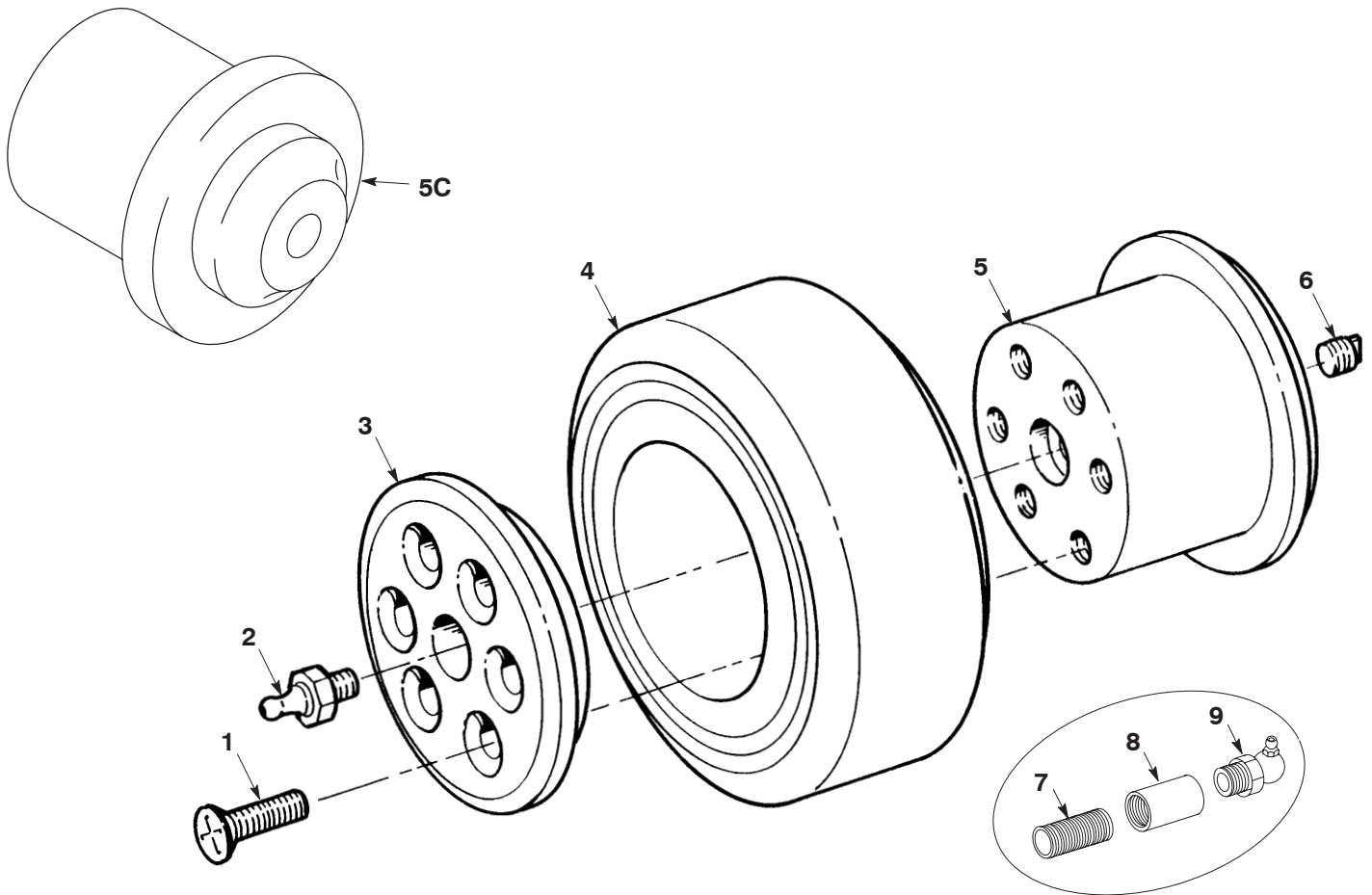
<u>Functional Group</u>	<u>Section</u>
Mast Group	27
Carriage	28
Miscellaneous Attachments	29

Attachments 

Attachments
27-313
 Main Roller Assembly

Taylor

MODEL OR SERIES	COMPONENT OR ASSEMBLY NUMBER
See P. S. O.	I-1-17-1779

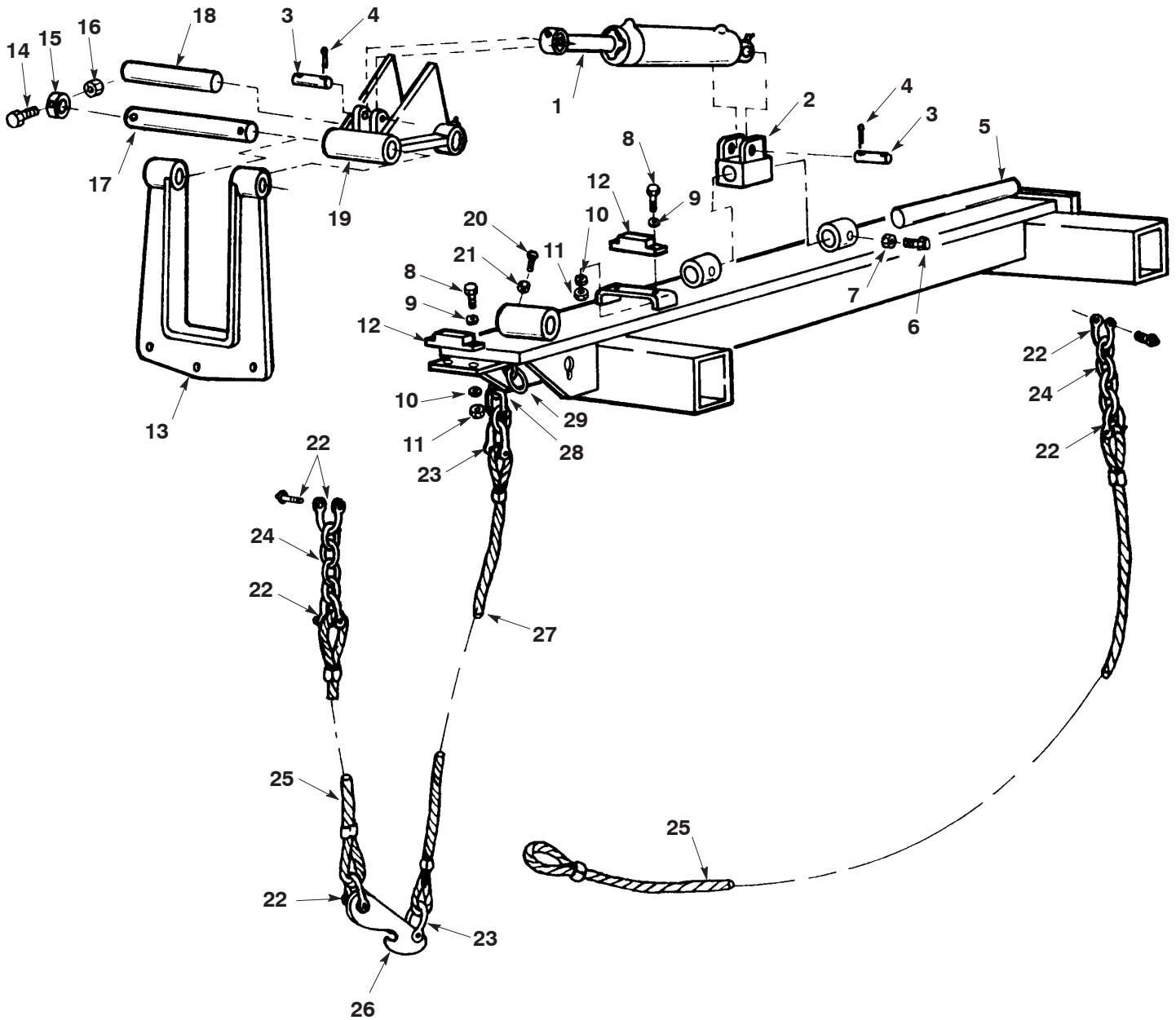


ITEM	PART NUMBER	DESCRIPTION	QTY.
1	1271-075	BOLT, 1/2" - 13 NC x 1-1/2" Sk Hd.	6
1A	1270-197	BOLT, 1/2" - 13 NC x 1-1/4" Sk Hd.	6
2	1686	FITTING, Grease, 1/8" St.	1
3	I-0-17-1776	CAP, Roller	1
4	I-1-17-1779	ROLLER ASSEMBLY (6-7/8" OD x 3-11/32" x 2-3/4" Wide)	1
5	I-0-17-1773	SHAFT, Stub, 4" x 2-29/32"	1
5A	I-0-18-5025	SHAFT, Stub (Used on WOF & WOMF Carriages)	1
5B	I-0-17-5482	SHAFT, Stub, 4" x 2-27/32" (Used on TE-160 Thru 520; TM-76S thru TM-120M, THD-280S thru THD-360L, THD-360RC, & THMO-90 thru TMHO-122M)	1
5C	I-0-16-1710	SHAFT, Stub, 4-1/4" x 3-27/32" (Used on THD-300M thru THD-360L w/Heavy Duty Mast & T-280S thru T-360L)	1
5D	I-0-17-5846	SHAFT, Stub, 4" x 3-13/32" (Used on BC-300)	1
5E	I-0-16-1663	SHAFT, Stub, 4" x 3-13/32" (Used on TECSP-157/8)	1
5F	I-0-19-7768	SHAFT, Stub, 4-1/4" x 2-27/32" (Used on THD-280S thru THD-360L, TX-280S thru TX-3690L & TXO-300M & TXO-360M)	1
5G	I-0-16-1099	SHAFT, Stub, 4" x 3-1/12" (Used on TECSP-156H & TECSP-155HD)	1
5H	I-0-16-1670	SHAFT, Stub, 4" x 4-1/2" (Used on TECSP-155HD)	1
5I	I-0-17-9877	SHAFT, Stub, 4" x 3-1/4" (Used on TECSP-155H, TECH-155H)	1
6	1477	PLUG, Pipe, 1/8"	1
6A	1477-101	PLUG, Pipe, 1/8"	1
7	1665-101	NIPPLE, 1/8"	4
8	7118	COUPLING, Pipe, 1/8"	4
9	1689-001	FITTING, Grease, 1/8", 90°	4

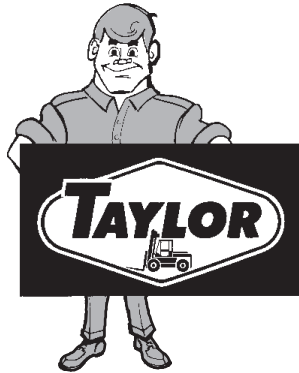
Attachments
28-610
 Hydraulic Pulpwood Trip

Taylor

MODEL OR SERIES	COMPONENT OR ASSEMBLY NUMBER
MY & TY-300; Y-30 WOF	



ITEM	PART NUMBER	DESCRIPTION	QTY.
1	See P.S.O.	HYDRAULIC CYLINDER ASSEMBLY, Trip	1
2	I-1-20-0053	SLIDE BAR ASSEMBLY	1
3	I-0-20-0142	PIN, Trip Cylinder Anchor	1
4	1465	PIN, Cotter, 1/4" x 2-1/2"	4
5	I-0-20-0105	ROD, Slide Bar Anchor	1
6	1261	SET SCREW, 5/8" - 24 NF x 2"	2
7	1324	NUT, 5/8" NC	2
8	1015	BOLT, 5/16" - 24 NF x 2"	4
9	1417	WASHER, Flat, 5/16"	4
10	1381	WASHER, Lock, 5/16"	4



Functional Group	Section
Plates and Decals	30
Pipe Fittings	31
Hose Adapters and Weld Fittings	31
Hose Assemblies	31
Battery Cables	31
Control Cables	31
Filter Elements	31
Paint	32

Miscellaneous

Miscellaneous

31-700

Filter Element Chart



MODEL OR SERIES			COMPONENT OR ASSEMBLY NUMBER		
ENGINE	FILTER TYPE	ELEMENT PART NUMBER	ENGINE	FILTER TYPE	ELEMENT PART NUMBER
CAT			CUMMINS		
3208	FUEL	4025-836	6 "B" SER	FUEL, LONG	4026-941
3306	OIL	4025-840		FUEL, SHORT	4026-940
				FUEL, INLINE	4026-013
CHRYSLER				OIL	4026-942
318	FUEL	4029-023			
360	OIL	4026-114	"C" SERIES	FUEL	4026-941 PRIMARY (DUAL)
				FUEL	4026-986 SECOND (DUAL)
CUMMINS				FUEL, SINGLE	4024-382
C-160	FUEL	4026-076		FUEL, INLINE	4026-014
JN-130	OIL	4026-125		FUEL, INLINE	4026-013 (THREADED)
	SEAL*	4026-350		OIL	4026-975 (1-3/8" PORT)
	OIL BYPASS	4026-109		OIL	4026-996 (2-3/16" PORT)
	SEAL*	4026-386		WATER	4026-993
				FUEL SEP.	4026-015 (LONG W/ DRAIN)
378	FUEL	4026-076		FUEL SEP.	4026-016 (SHORT NO DRAIN)
504	OIL	4026-135			
	SEAL*	4026-927	LT-10	FUEL SEP.	5242-975 ELEMENT
	WATER	4026-151		OIL	4026-976 PRIMARY (DUAL)
	WATER	4026-156 (SPIN-ON)		OIL	4026-977 SECOND (DUAL)
	OIL BYPASS	4026-109		OIL	4026-996 SINGLE
	SEAL*	4026-386		WATER	4026-993
				WATER	4026-988**
555	FUEL	4026-077			
855	FUEL (DUEL)	4026-015	KTA-19	FUEL	4026-491 (DUAL)
	OIL	4026-135 (CARTRIDGE)		OIL	4026-976 (DUAL)
	SEAL*	4026-927		OIL	4026-976
	OIL	4026-976 PRIMARY (SPIN ON)			
	OIL	4026-977 SECOND (SPIN ON)	B4.5	OIL	4028-093
	WATER	4026-151 (CARTRIDGE)		FUEL	4028-092
	WATER	4026-017 (SPIN ON)		FUEL, INLINE	4026-014
	WATER**	4026-159 (SPIN ON)			
	OIL BYPASS	4026-110	B5.9	OIL	4026-942
	SEAL	4026-386		FUEL	4026-986
				FUEL, INLINE	4026-014
4 "B" SER	FUEL, LONG	4026-941		FUEL SEP.	4026-941
	FUEL, SHORT	4026-986			
	OIL	4026-879			

** Used if System is Completely Drained

* Not Included with Element

Miscellaneous

31-700A

Filter Element Chart



MODEL OR SERIES			COMPONENT OR ASSEMBLY NUMBER		
ENGINE	FILTER TYPE	ELEMENT PART NUMBER	ENGINE	FILTER TYPE	ELEMENT PART NUMBER
CUMMINS			CUMMINS		
C8.3	OIL	4026-996	QSB6.7	OIL	4028-392
	FUEL	4026-986		FUEL	4028-427 (W/ WATER SEP)
	FUEL SEP.	4026-941		FUEL	4026-047 SECONDARY
	FUEL, INLINE	4026-014 (THREADED)			
			QSB6.7 T4i	OIL	4028-392
MI I	OIL	4026-996		FUEL	4029-280 (W/ WATER SEP)
	FUEL / WATER	2404-389		FUEL	4030-098
	WATER	4026-017			
			QSB6.7 T4F	OIL	4028-392
N14	OIL	4026-996		FUEL	4030-098
	WATER	4026-017		FUEL	4023-489 (Used when remote
	FUEL	4026-015			Fuel/Water Seperator Not used,
					Check 02 Circuit on PSO)
QSF3.8 T4F	OIL	4023-948	QSC8.3 T1	OIL	4026-333
	FUEL	4023-489 (W/ WATER SEP)		FUEL	4026-077
	FUEL	4023-947		FUEL, INLINE	4028-926
	FUEL	5925-987 (W/ WIF)		WATER	4026-159
QSB4.5	OIL	4028-392	QSC8.3 T2	OIL	4026-333
	FUEL	4026-047 PRIMARY		FUEL	4028-925
	FUEL / WATER	4028-427		FUEL, INLINE	4028-926
				WATER	4026-159
QSB4.5 T4F	OIL	4028-392			
	FUEL	4030-098	QSC8.3 T3	OIL	4026-333
	FUEL	4023-489 (Used when remote		FUEL	4028-426
		Fuel/Water Seperator Not used,		FUEL	4028-427 (W/ WATER SEP)
		Check 02 Circuit on PSO)		FUEL, INLINE	4028-926
				WATER	4026-159
QSB5.9	OIL	4026-089			
	FUEL	4026-090	QSL8.9	OIL	4026-333
	FUEL, INLINE	4026-014		FUEL	4028-426
	WATER	4026-097		FUEL	4028-427 (W/ WATER SEP)
				COOLANT	4026-159
QSB5.9	OIL	4028-392			
205 & 230HP	FUEL	4028-393	QSL8.9 / 9T4	OIL	4026-333
	FUEL	4028-399 (W/O DRAIN VALVE)		FUEL	4030-098
	FUEL	4026-098 (W/ DRAIN VALVE)		FUEL	4023-489 (W/ WATER SEP)
	WATER	4026-097		COOLANT	4026-159

** Used if System is Completely Drained

* Not Included with Element

Miscellaneous

31-700B

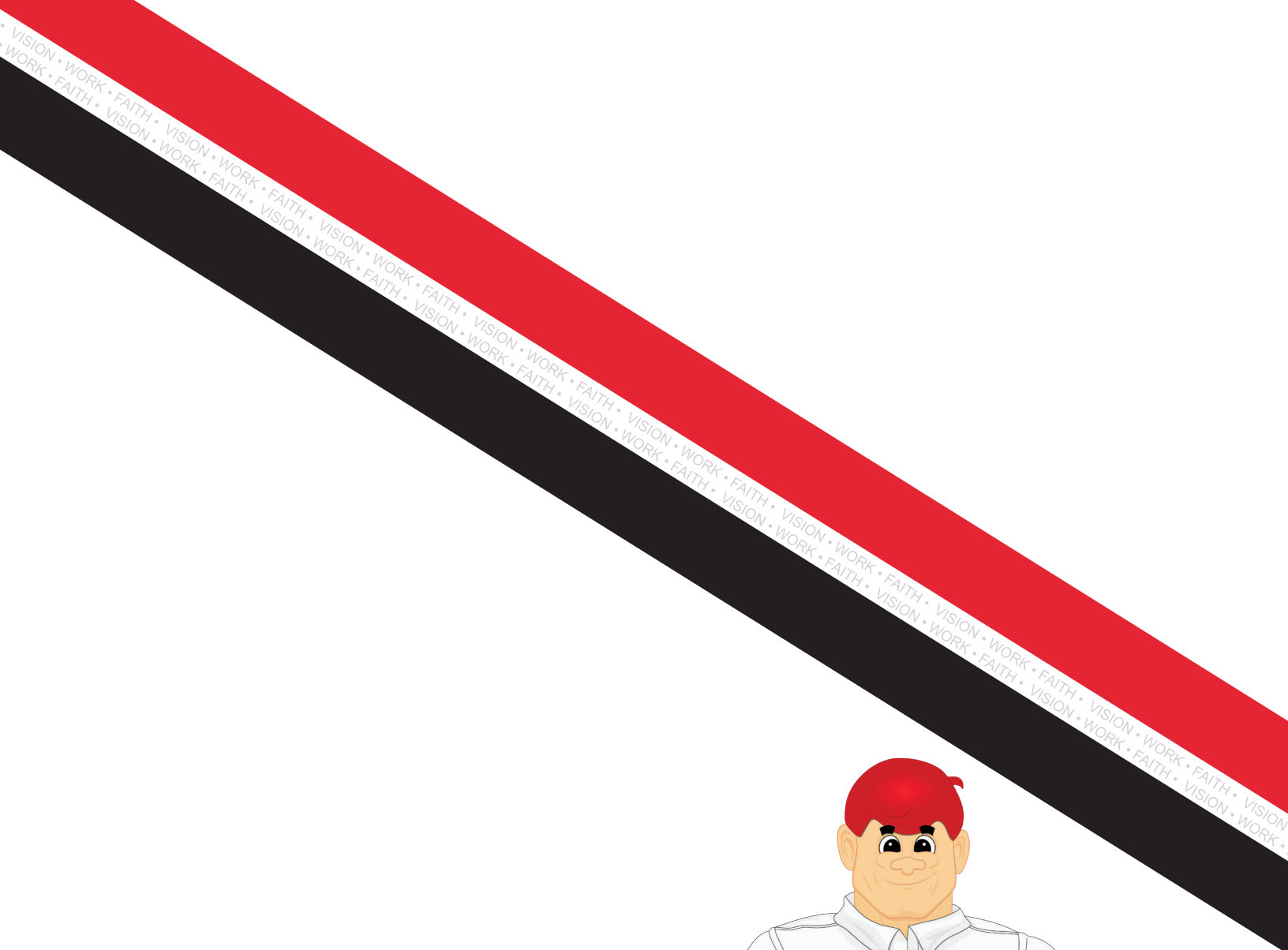
Filter Element Chart



MODEL OR SERIES			COMPONENT OR ASSEMBLY NUMBER		
ENGINE	FILTER TYPE	ELEMENT PART NUMBER	ENGINE	FILTER TYPE	ELEMENT PART NUMBER
CUMMINS			4.248.2	OIL	V2654403
QSM-11 T1	OIL	4026-085			
	WATER	4026-017	4.3L (GAS)	OIL	G-PF52
	FUEL	4026-086			
QSM-11 T2	OIL	4026-085	DDC		
	WATER	4029-407	6.0	OIL	V2654403
	FUEL	4026-073		FUEL	V26560145
QSM-11 T3	OIL	4026-085		FUEL	V26560141
	WATER	4029-407	6.354	FUEL	4044-585
	FUEL	4026-073		OIL	4026-111
QSX-15	OIL	4028-367	SER 50 8.5L	FUEL	G-TP915D PRIMARY
	FUEL	4028-366		FUEL	G-TP916D SECONDARY
	WATER	4028-377		OIL	G-PF2100
	CRANKCASE	4029-262		WATER	G-23507189
DDC			1006-6T	OIL	V2654403
3-53	FUEL	G-T553 PRIMARY		FUEL	V26560608
4-53	FUEL	G-T936 PRIMARY (SPIN-ON)	1004-4T	OIL	V2654407
4-71	FUEL	G-TP511 SECONDARY		FUEL	V26560143
3-53	OIL	G-PF147	FORD		
	OIL	G-PF947 (SPIN-ON)	392	FUEL	2404-200
	FUEL	G-TP928 SECOND (SPIN-ON)		OIL	4024-053
4-53	OIL	G-PF132W	300	FUEL	4044-510
4-71	OIL	G-PF911 (SPIN-ON)		OIL	4042-053
6V-53	FUEL	G-T552 PRIMARY	330	FUEL	4039
6-71	FUEL	G-T915 PRIMARY (SPIN-ON)		OIL	4042
8V-71	FUEL	G-TP540X SECONDARY	361	FUEL	4044-510
	FUEL	G-TP916 SECOND (SPIN-ON)			
	OIL	G-PF132W	391	OIL	4042-053 (SPIN-ON)
	OIL	4026-111		OIL	4042-010
4.236	FUEL	V26561117	363	FUEL	4044-585
4.236 (GAS)	OIL	V2654403		OIL	4044-425

** Used if System is Completely Drained

* Not Included with Element



Sudden Service, Inc.
3637 North Church Avenue
Louisville, Mississippi 39339
(662) 773-8056
www.taylorsuddenservice.com

